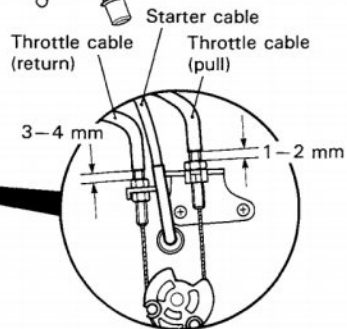
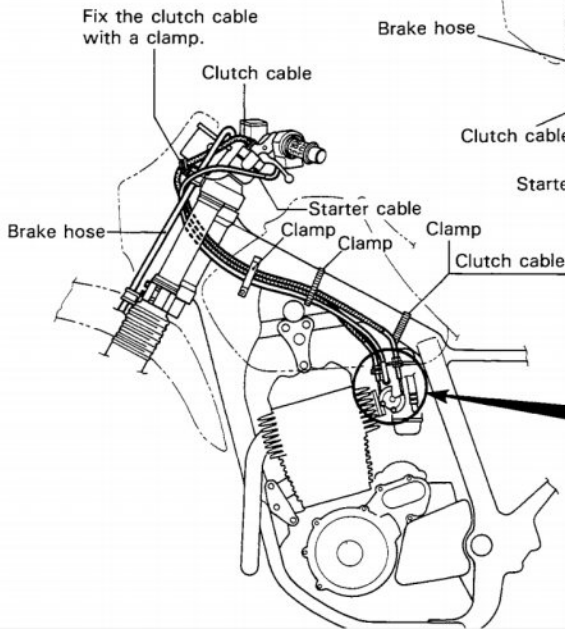
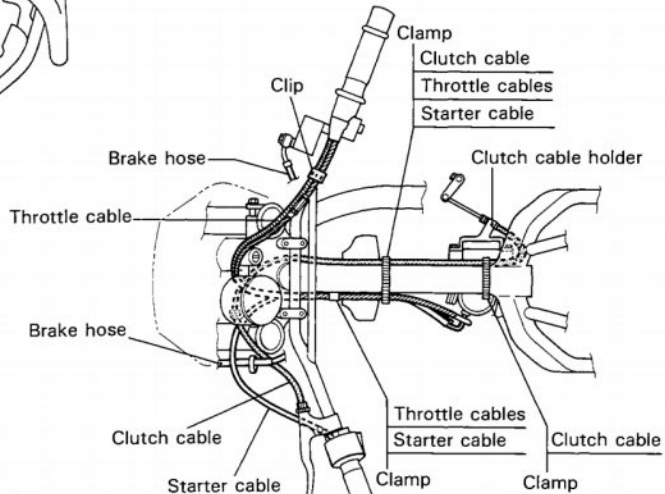
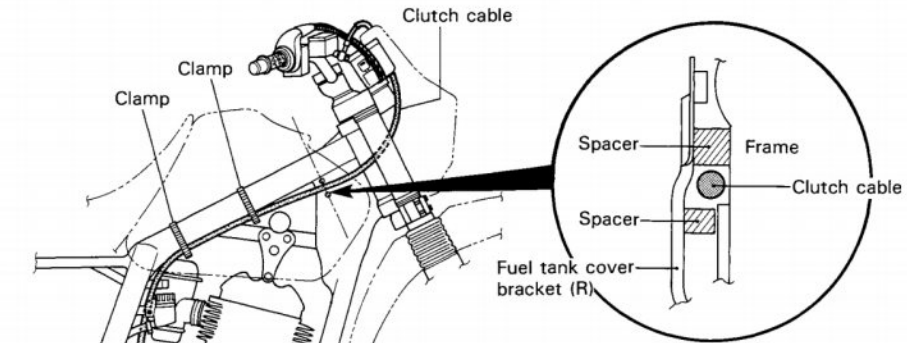
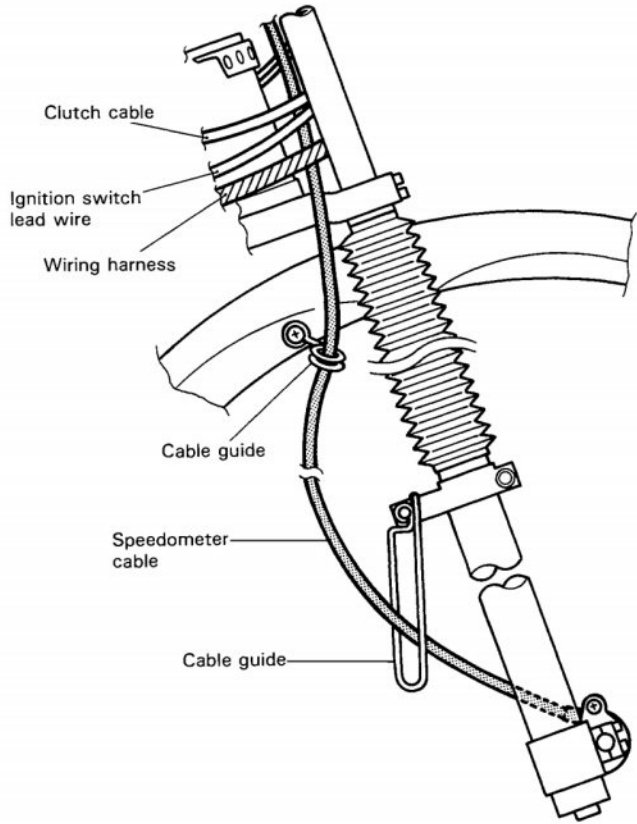
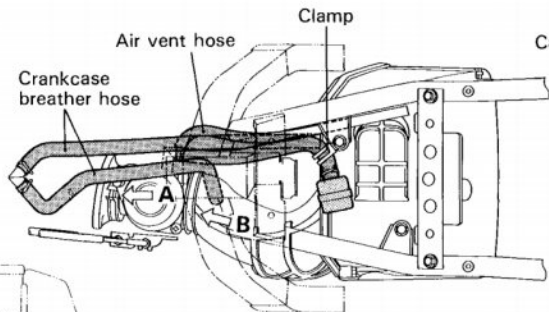


CABLE ROUTING

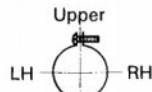




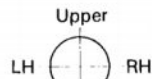
CARBURETOR AND AIR CLEANER HOSE ROUTING



Carburetor clamp position

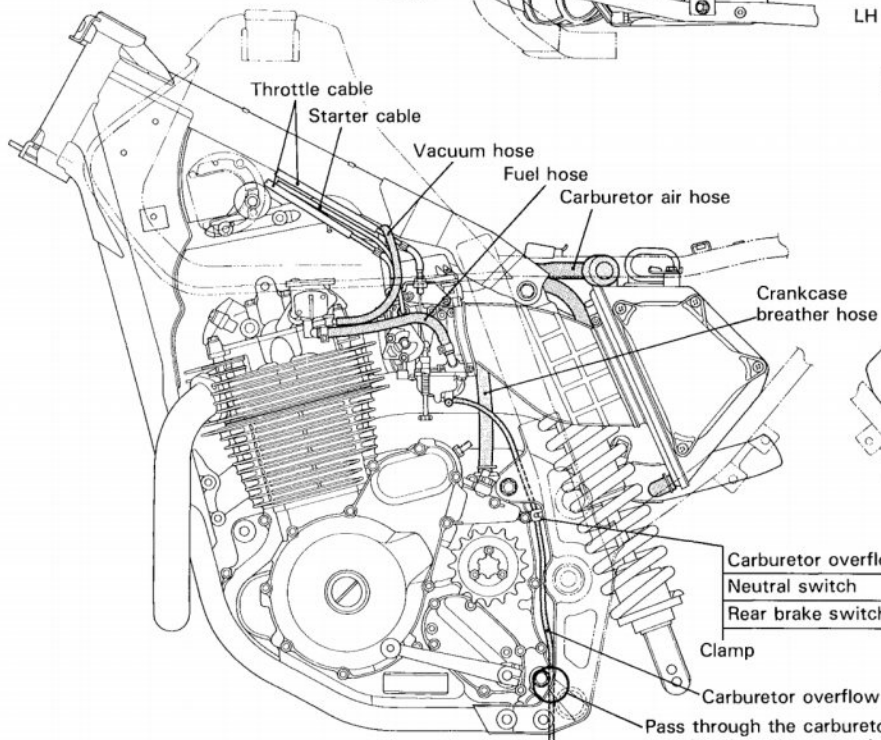


VIEW A

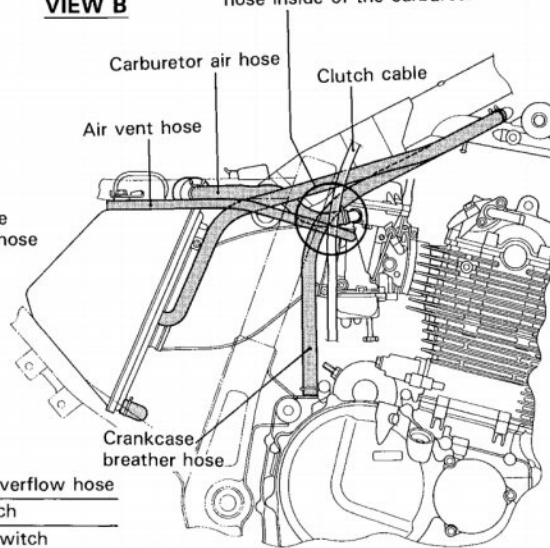


VIEW B

- Pass through the air vent hose outside of the clutch cable.
- Pass through the breather hose inside of the clutch cable.
- Pass through the crankcase breather hose inside of the carburetor air hose.

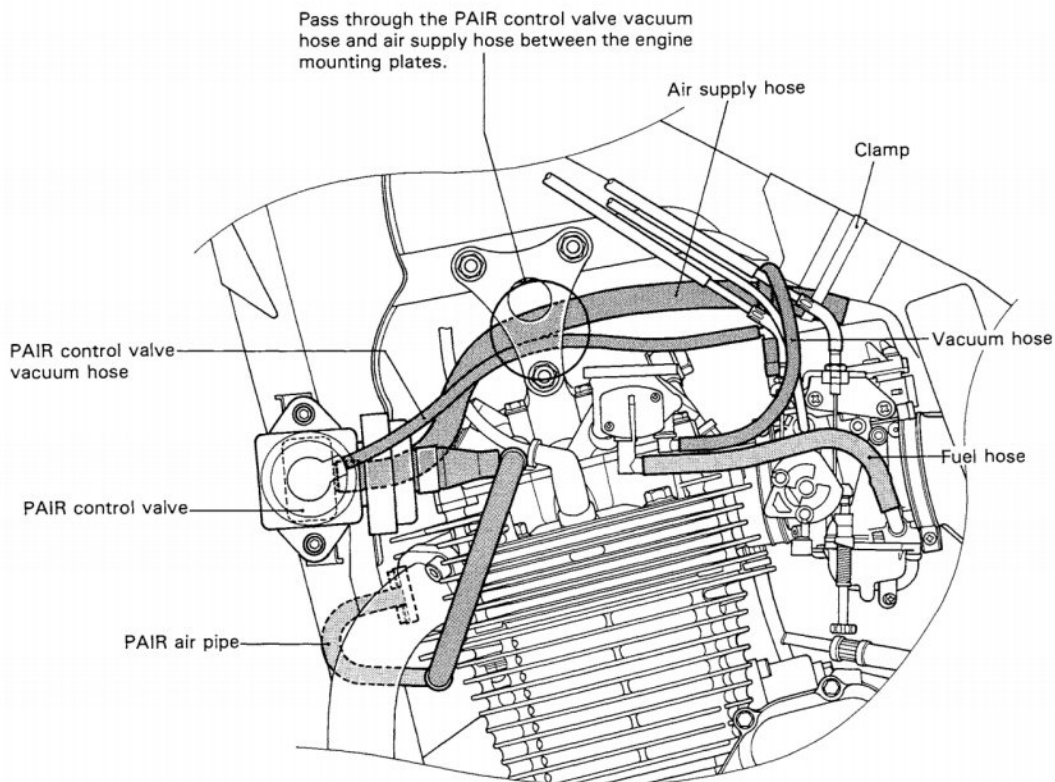


Pass through the carburetor overflow hose between the engine and frame.

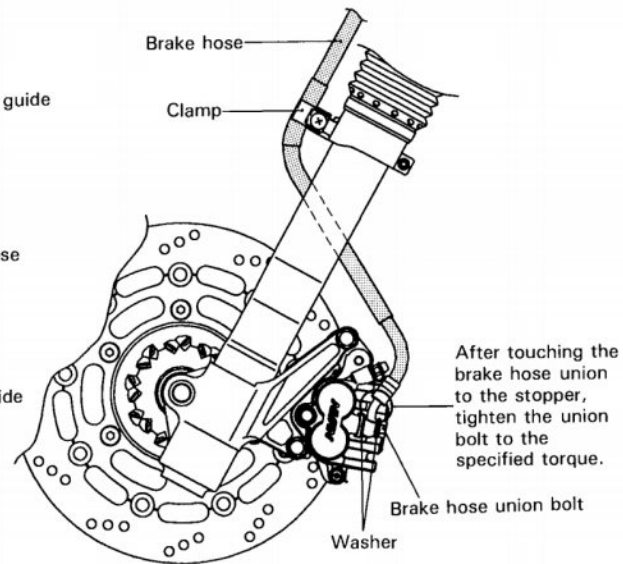
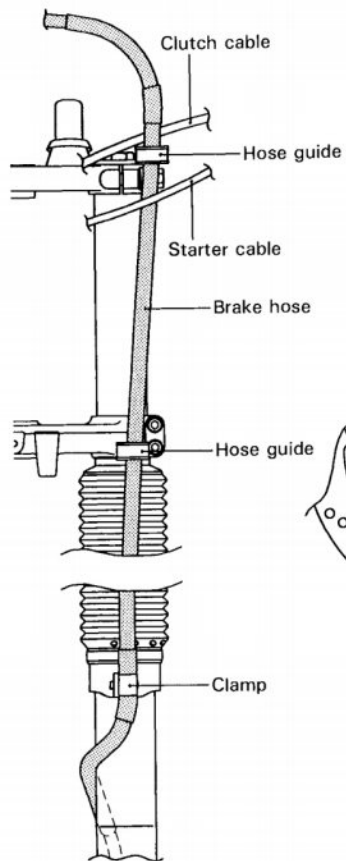
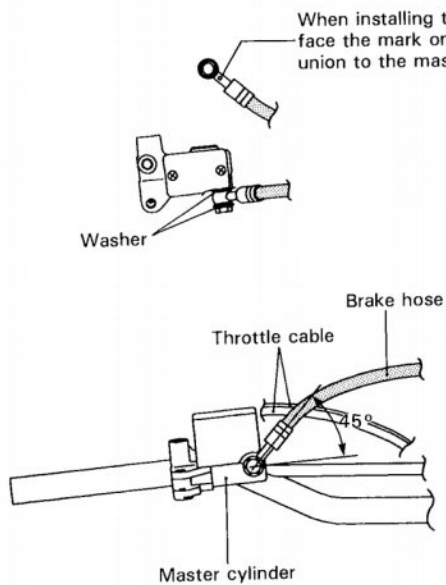




PAIR (AIR SUPPLY) SYSTEM HOSE ROUTING (For Austria and Switzerland)



FRONT BRAKE HOSE ROUTING



REAR BRAKE HOSE ROUTING

