



**SUZUKI**

PARTS CATALOGUE

**DR650SEK6**

(SP46A)

2005-9

**1** ST EDITION



INFORMATION  
ILLUSTRATION INDEX

**1**

ENGINE  
TRANSMISSION

**2**

ELECTRICAL

**3**

BODY

**4**

PARTS NUMBER INDEX

**5**



# DR650SEK6





## PREFACE

When it becomes necessary to replace parts on SUZUKI MOTORCYCLES, always use SUZUKI GENUINE PARTS which have passed a strict inspection which guarantees quality and performance.

This parts catalogue covers the list of all service parts for SUZUKI DR650SEK6.

### INSTRUCTIONS FOR QUOTING THE CATALOGUE

#### 1. DIMENSIONS

Dimensions of the parts in this catalogue are indicated in unit millimeters.

#### 2. ABBREVIATIONS

Abbreviations used in this catalogue are as follows:

AR	: As required	NT	: Number of teeth
ASSY	: Assembly	OPT	: Optional
E.No.	: Engine number	OS	: Over size
F.No.	: Frame number	STD	: Standard
D	: Diameter of material	T	: Thickness
ID	: Inside diameter	US	: Under size
OD	: Outside diameter	W	: Width
L	: Length	E28	: Canada specification
LH	: Left hand side	E3	: Federal specification
RH	: Right hand side	E33	: California specification
-100045	: Up to F.No.100045		
100046-	: From F.No.100046		

$\frac{12}{\text{ID}} \times \frac{34}{\text{OD}} \times \frac{5.6}{\text{T(or W, L)}} \dots\dots\dots$  Figures in the description column show the dimensions of parts.

ID OD T(or W, L)

#### 3. INNER PARTS OF ASSEMBLY

Part name with a dot (.) in front as shown in the description column indicates the component of the assembly also available individually.

#### 4. MODIFICATION NOTICE

A parts bulletin will be sent to you on all occasions when changes in parts occur, including interchangeable modifications between new parts and old ones.

#### 5. NOTE

5-1. There are some different parts from those of production models among spare parts for the administrative reasons and common use of them with other models.

5-2. In respect of rubber hoses and vinyl tubes, please be sure to use them by cutting off according to the length mentioned on parts catalogue or what is actually required on the vehicle.

5-3. Note that the drawings on the illustration page are for ready reference of spare parts number, not to be used as an assembly manual.  
When assembling, use "SUZUKI SERVICE MANUAL".

#### 6. SERIAL FRAME NUMBER

DR650SEK6 : JS1SP46A 62100001 ~



## PREFACE

Quand il devient nécessaire de remplacer des pièces sur SUZUKI MOTOCYCLETTES toujours utiliser les PIÈCES D'ORIGINE SUZUKI qui ont été soumises à des contrôles de qualité sévères leur garantissant qualité et performance impeccables.

Ce catalogue de pièces détachées couvre la liste de toutes les pièces de rechange pour SUZUKI DR650SEK6.

### INSTRUCTIONS POUR UTILISER LE CATALOGUE

#### 1. DIMENSIONS

Les dimensions des pièces dans ce catalogue sont indiquées en unités de millimètres.

#### 2. ABBREVIATIONS

Les abréviations utilisées dans ce catalogue sont les suivantes :

AR	: Comme requis	NT	: Nombre de dents
ASSY	: Assemblage	OPT	: Sur option
E. No.	: Numéro du moteur	OS	: Sur-dimensionné
F. No.	: Numéro du châssis	T	: Epaisseur
ID	: Diamètre intérieur	US	: Sous-dimensionné
OD	: Diamètre extérieur	W	: Largeur
L	: Longueur	E28	: Spécifications du Canada
LH	: Côté gauche	E3	: Spécifications fédérales des Etats Unis
RH	: Côté droit	E33	: Spécifications de la Californie

~100045 : Jusqu'à F. No.100045

100046~ : Depuis F. No.100046

12 x 34 x 5,6 ..... Les chiffres dans la colonne remarques montrent les dimensions des pièces comme suit.

ID OD T(or W, L)

#### 3. PIÈCES INTERNES DE L'ASSEMBLAGE

Les numéros de pièces qui comportent un point (.) avant la désignation de pièce détachée indique la pièce interne se rapportant à l'assemblage.

#### 4. AVIS DE MODIFICATION

Un bulletin de pièces détachées vous sera envoyé à tout moment opportun quand des changements de pièces ont lieu, y compris les modifications de pièces interchangeable entre les nouvelles et anciennes pièces.

#### 5. A NOTER

- 5-1. Il existe certaines pièces différentes de celles de rechange pour les modèles de production vu des raisons administratives et dont l'usage est commun avec celles d'autres modèles.
- 5-2. Concernant les durites en caoutchouc et les tuyaux en vinyle, ne pas manquer de les couper à la bonne longueur comme indiqué dans le catalogue des pièces détachées ou selon ce qui est utile pour le véhicule affecté.
- 5-3. Noter que les dessins à la page d'illustration servent à titre de référence pour les numéros de pièces détachées, et non pas comme référence pour l'assemblage. Pour cette dernière opération, se reporter au "MANUEL D'ENTRETIEN SUZUKI".

#### 6. NUMERO DE SERIE DU CADRE

DR650SEK6 : JS1SP46A 62100001 ~

COLOR CHART  
TABLEAU DES COULEURS

COLOR NO. NO DE COULEUR	COLOR DESCRIPTION DESCRIPTION DE COULEUR	COLOR NO. NO DE COULEUR	COLOR DESCRIPTION DESCRIPTION DE COULEUR
BDL	P21,T3K,064	1ZZ	URBAN MIDIAM GRAY METALLIC
CEP	T7G,T2E,YKU	20H	WARM SILVER METALLIC
CET	019,YCF,YBD,YBB,YU1	28W	SPECIAL WHITE
CFL	YBB,YU1	291	BLACK (SEMI-GLOSS)
CLK	019,YBD,1ZZ,YCF,YC2	30H	SPECIAL WHITE
CLM	YBB,30H	8YM	30H,019
HU8	30H,YJ4		
P21	BLACK (LEATHER)		
T2E	CHAMPION YELLOW NO.2		
T3K	NEO BLUE (LEATHER)		
T7G	ULTRA MARINE BLUE NO.3		
YBB	MEDIUM BLUE NO.2(PEARL)		
YBD	SPLASH WHITE		
YCF	LUMINOUS ORANGE NO.3		
YC2	CANDY GRAND BLUE		
YJ4	GRAND BLUE		
YKS	FIERY RED		
YKU	BLUE		
YU1	CHAMPION YELLOW NO.2		
YU8	FLINT GRAY METALLIC		
019	BLACK		
064	PURE WHITE		

MILLIMETER INCH CONVERSION CHART  
TABLEAU DE CONVERSION DE MILLIMETRES POUCES

	0	1	2	3	4	5	6	7	8	9
00	.000	.039	.079	.118	.157	.197	.236	.276	.315	.354
10	.394	.433	.472	.512	.551	.591	.630	.669	.709	.748
20	.787	.827	.866	.906	.945	.984	1.024	1.063	1.102	1.142
30	1.181	1.220	1.260	1.299	1.339	1.378	1.417	1.457	1.496	1.535
40	1.575	1.614	1.654	1.693	1.732	1.772	1.811	1.850	1.890	1.929
50	1.969	2.008	2.047	2.087	2.126	2.165	2.205	2.214	2.283	2.323
60	2.362	2.402	2.441	2.480	2.520	2.559	2.598	2.638	2.677	2.717
70	2.756	2.795	2.835	2.874	2.913	2.953	2.992	3.031	3.071	3.110
80	3.150	3.189	3.228	3.268	3.307	3.346	3.386	3.425	3.465	3.504
90	3.543	3.583	3.622	3.661	3.701	3.740	3.780	3.819	3.858	3.898

How to read  
Mode de lecture

	0	1	2	3	4
00	---	---	---	---	---
10	---	---	---	---	---
20	---	---	---	0.906	---
30	---	---	---	---	---

23 millimeters equal 0.906 inch  
23 millimètres égalent 0.906 pouce

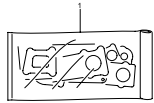
Contents are subject to change without notice or obligation.

Les matières traitées sont susceptibles d'être modifiées sans préavis obligation de notre part.



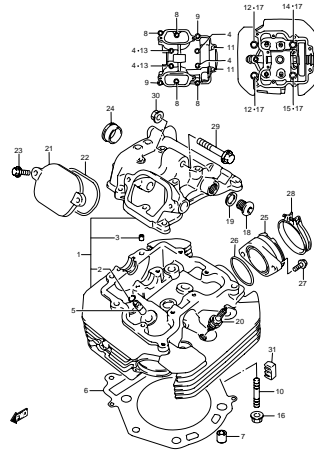


FIG.1 GASKET SET (B-2)



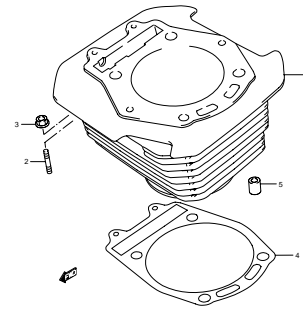
DR650SEK6 E03 E28\_001  
GASKET SET

FIG.2 CYLINDER HEAD (B-3)



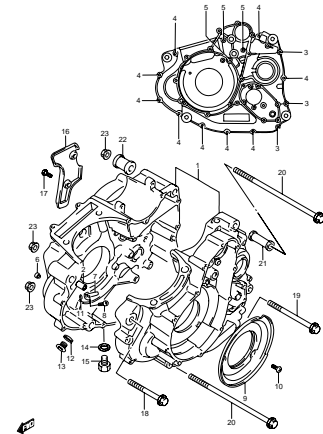
DR650SEK6 E03 E28\_002  
CYLINDER HEAD

FIG.3 CYLINDER (B-4)



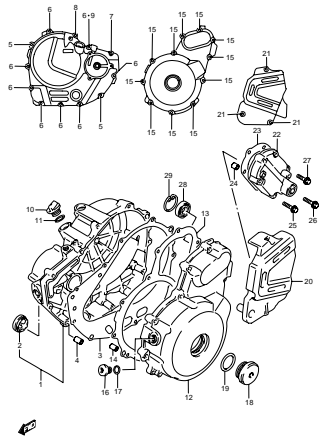
DR650SEK6 E03 E28\_003  
CYLINDER

FIG.4 CRANKCASE (B-5)



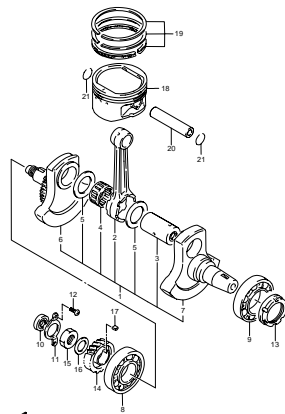
DR650SEK6 E03 E28\_004  
CRANKCASE

FIG.5 CRANKCASE COVER (B-6)



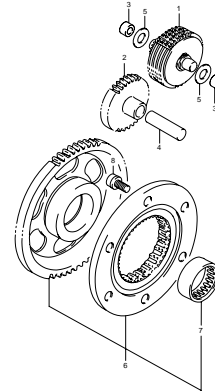
DR650SEK6 E03 E28\_005  
CRANKCASE COVER

FIG.6 CRANKSHAFT (B-7)



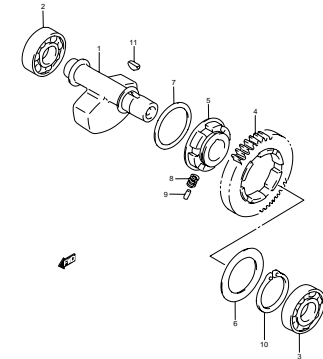
DR650SEK6 E03 E28\_006  
CRANKSHAFT

FIG.7 STARTER CLUTCH (B-8)



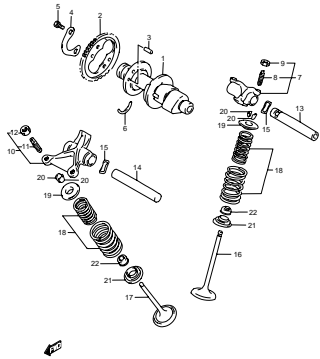
DR650SEK6 E03 E28\_007  
STARTER CLUTCH

FIG.8 CRANK BALANCER (B-9)



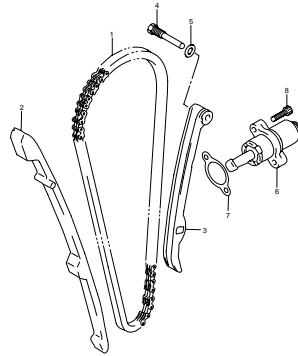
DR650SEK6 E03 E28\_008  
CRANK BALANCER

FIG.9 CAM SHAFT - VALVE (B-10)



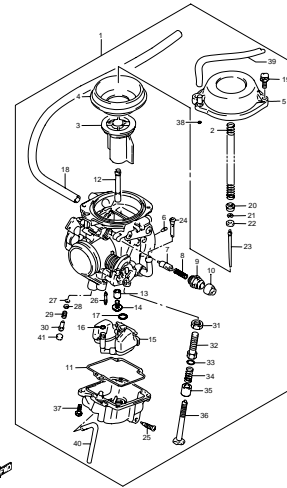
DR650SEK6 E03 E28\_009  
CAM SHAFT/VALVE

FIG.10 CAM CHAIN (B-11)



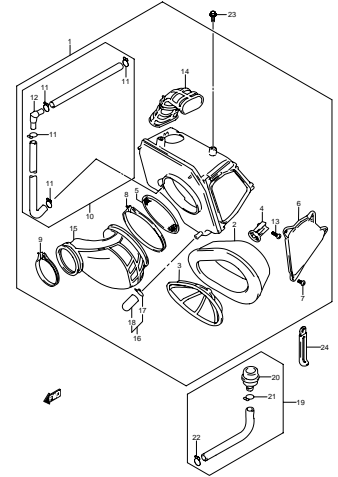
DR650SEK6 E03 E28\_010  
CAM CHAIN

FIG.11 CARBURETOR (C-2)



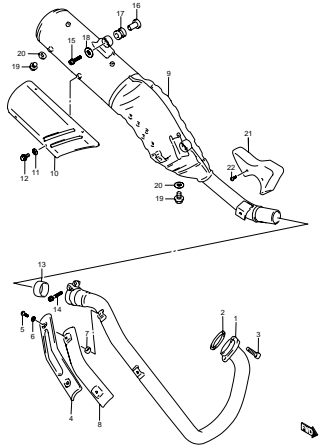
DR650SEK6 E03 E28\_011  
CARBURETOR

FIG.12 AIR CLEANER (C-4)



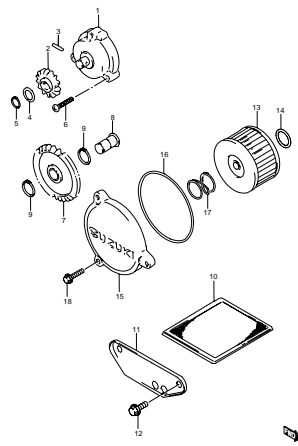
DR650SEK6 E03 E28\_012  
AIR CLEANER

FIG.13 MUFFLER (C-5)



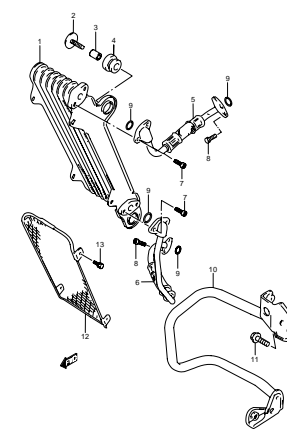
DR650SEK6 E03 E28\_013  
MUFFLER

FIG.14 OIL PUMP (C-6)



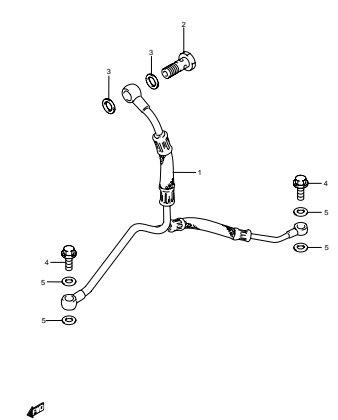
DR650SEK6 E03 E28\_014  
OIL PUMP

FIG.15 OIL COOLER (C-7)



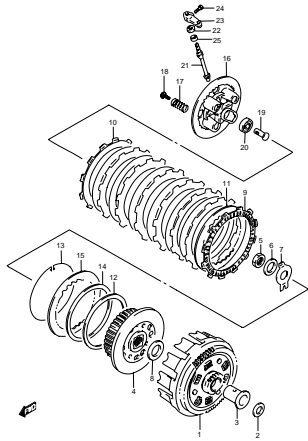
DR650SEK6 E03 E28\_015  
OIL COOLER

FIG.16 OIL PIPE (C-8)



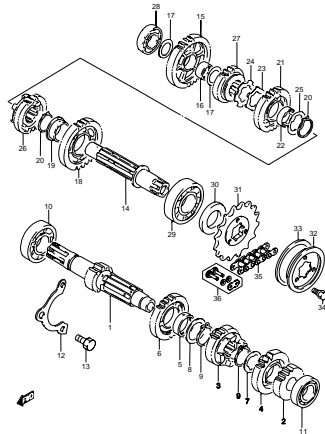
DR650SEK6 E03 E28\_016  
OIL PIPE

FIG.17 CLUTCH (C-9)



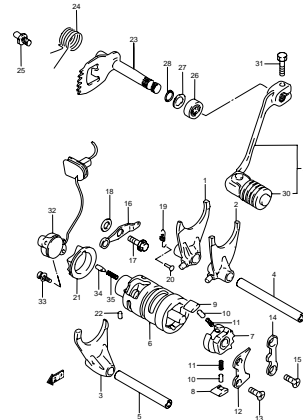
DR650SEK6 E03 E28\_017  
CLUTCH

FIG.18 TRANSMISSION (C-10)



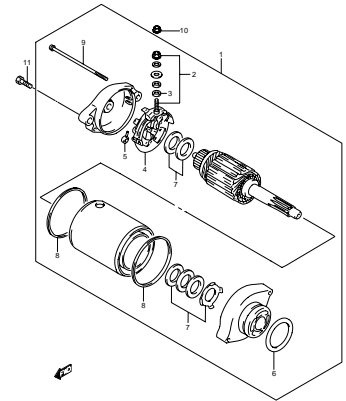
DR650SEK6 E03 E28\_018  
TRANSMISSION

FIG.19 GEAR SHIFTING (C-12)



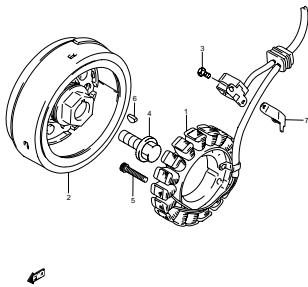
DR650SEK6 E03 E28\_019  
GEAR SHIFTING

FIG.20 STARTING MOTOR (D-2)



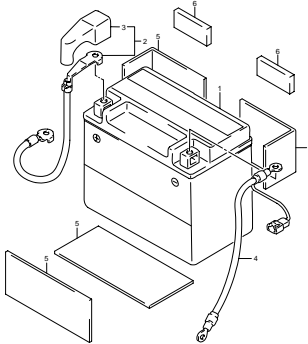
DR650SEK6 E03 E28\_020  
STARTING MOTOR

FIG.21 MAGNETO (D-3)



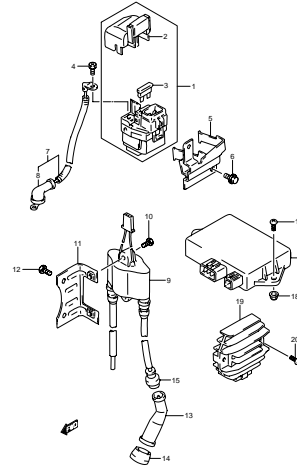
DR650SEK6 E03 E28\_021  
MAGNETO

FIG.22 BATTERY (D-4)



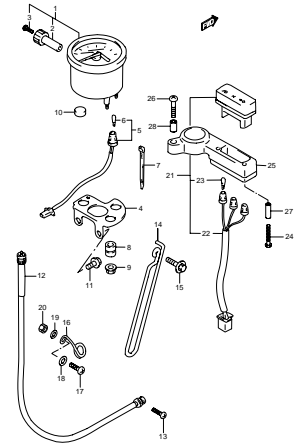
DR650SEK6 E03 E28\_022  
BATTERY

FIG.23 ELECTRICAL (D-5)



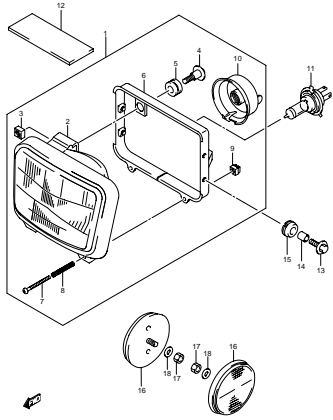
DR650SEK6 E03 E28\_023  
ELECTRICAL

FIG.24 SPEEDOMETER (D-6)



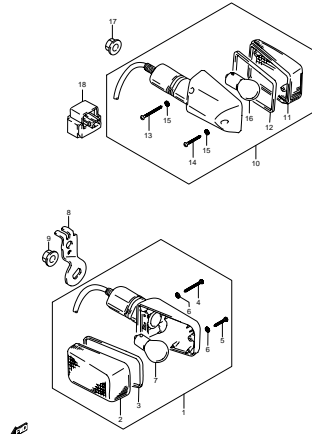
DR650SEK6 E03 E28\_024  
SPEEDOMETER

FIG.25 HEADLAMP (D-7)



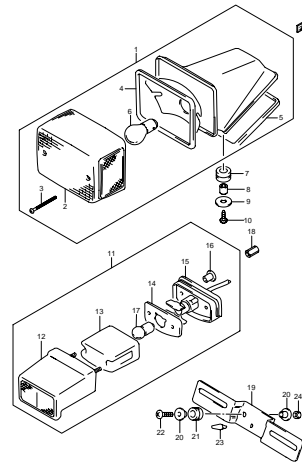
DR650SEK6 E03 E28\_025  
HEAD LAMP

FIG.26 TURN SIGNAL LAMP (D-8)



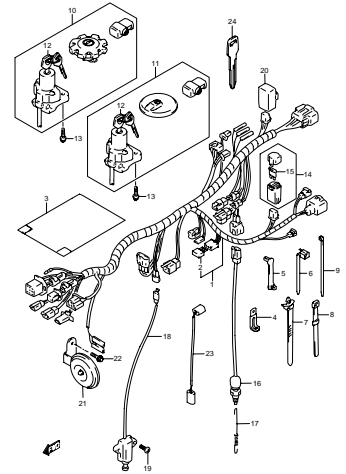
DR650SEK6 E03 E28\_026  
TURN SIGNAL LAMP

FIG.27 TAIL LAMP (D-9)



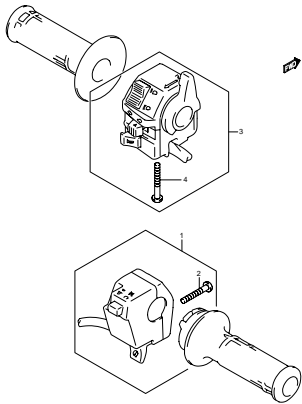
DR650SEK6 E03 E28\_027  
TAIL LAMP

FIG.28 WIRING HARNESS (D-10)



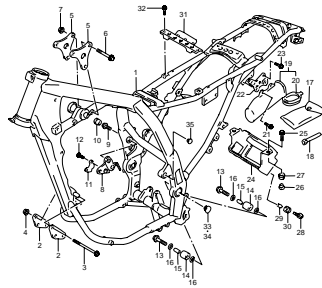
DR650SEK6 E03 E28\_028  
WIRING HARNESS

FIG.29 HANDLE SWITCH (D-11)



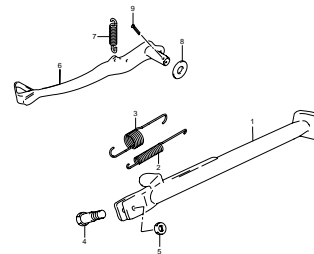
DR650SEK6 E03 E28\_029  
HANDLE SWITCH

FIG.30 FRAME (E-2)



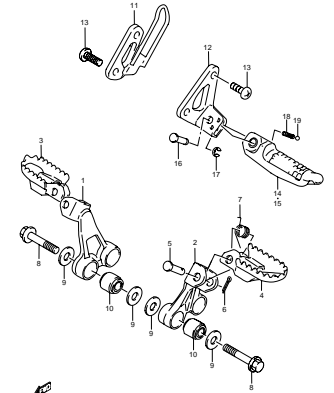
DR650SEK6 E03 E28\_030  
FRAME

FIG.31 STAND - REAR BRAKE (E-4)



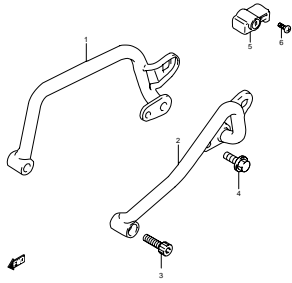
DR650SEK6 E03 E28\_031  
STAND-REAR BRAKE

FIG.32 FOOTREST (E-5)



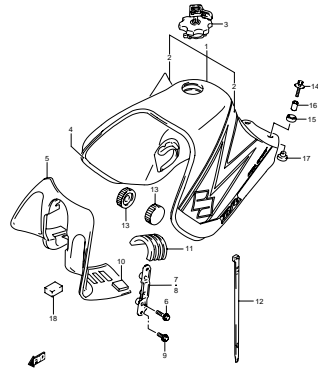
DR650SEK6 E03 E28\_032  
FOOTREST

FIG.33 REAR GRIP (E-6)



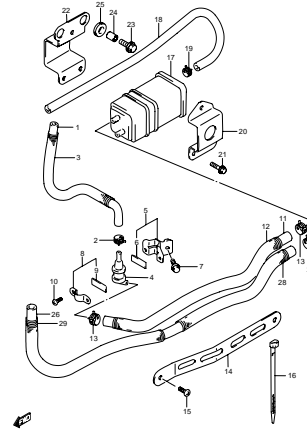
DR650SEK6 E03 E28\_033  
REAR GRIP

FIG.34 FUEL TANK (F-2)



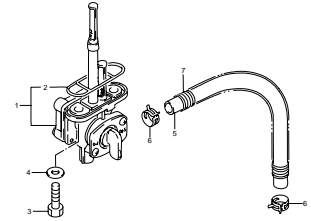
DR650SEK6 E03 E28\_034  
FUEL TANK

FIG.35 CANISTER (E33) (F-3)



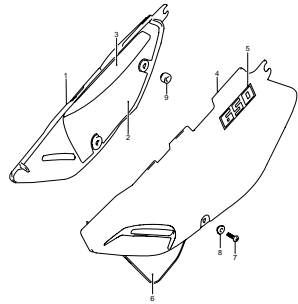
DR650SEK6 E03 E28\_035  
CANISTER

FIG.36 FUEL COCK (F-4)



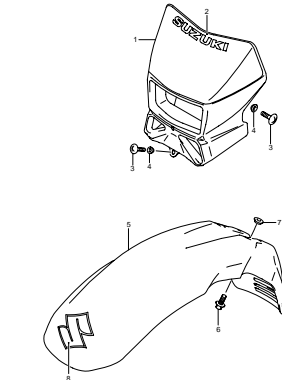
DR650SEK6 E03 E28\_036  
FUEL COCK

FIG.37 FRAME COVER (F-5)



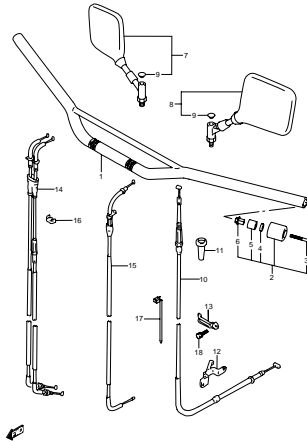
DR650SEK6 E03 E28\_037  
FRAME COVER

FIG.38 HEADLAMP HOUSING (G-2)



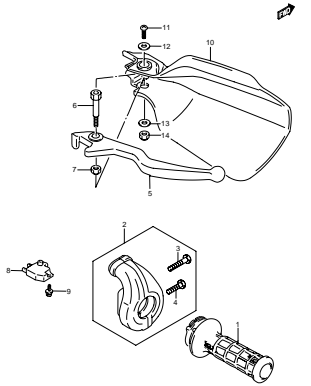
DR650SEK6 E03 E28\_038  
HEAD LAMP HOUSING

FIG.39 HANDLEBAR (G-3)



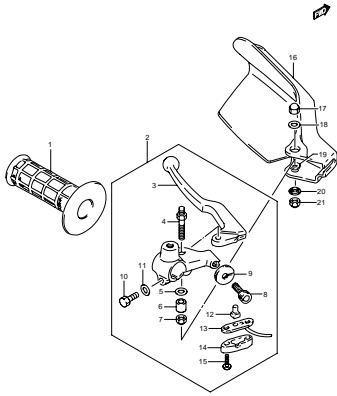
DR650SEK6 E03 E28\_039  
HANDLE BAR

FIG.40 RIGHT HANDLE LEVER (G-4)



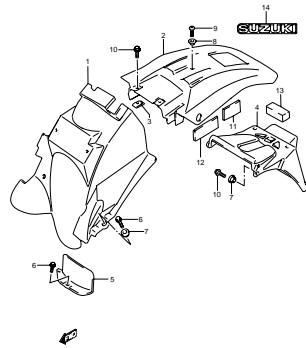
DR650SEK6 E03 E28\_040  
RIGHT HANDLE LEVER

FIG.41 LEFT HANDLE LEVER (G-5)



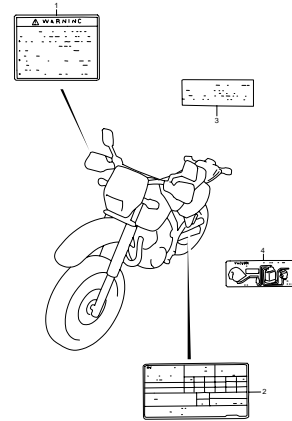
DR650SEK6 E03 E28\_041  
LEFT HANDLE LEVER

FIG.42 REAR FENDER (G-6)



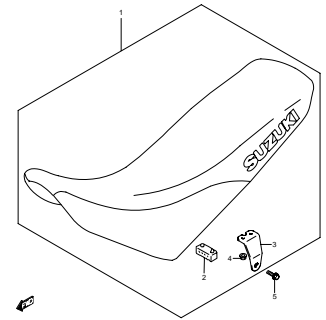
DR650SEK6 E03 E28\_042  
REAR FENDER

FIG.43 LABEL (G-7)



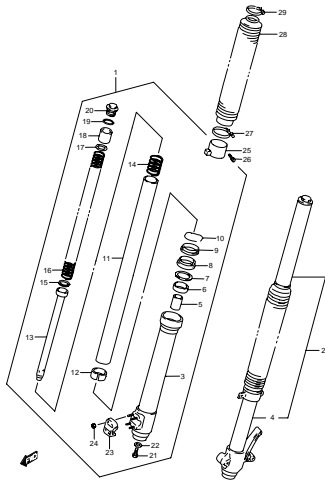
DR650SEK6 E03 E28\_043  
LABEL

FIG.44 SEAT (H-2)



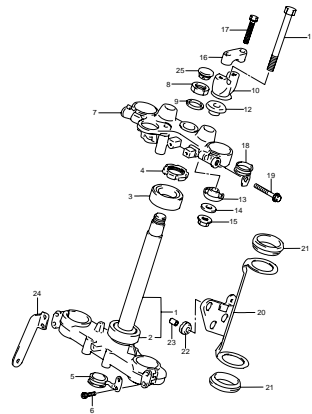
DR650SEK6 E03 E28\_044  
SEAT

FIG.45 FRONT DAMPER (H-3)



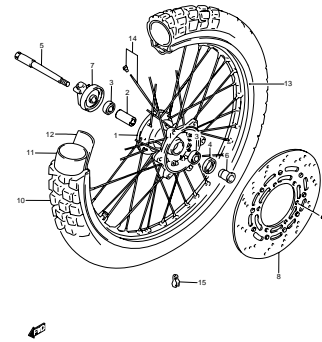
DR650SEK6 E03 E28\_045  
FRONT DAMPER

FIG.46 STEERING STEM (H-4)



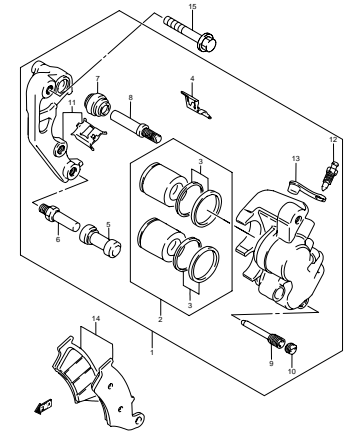
DR650SEK6 E03 E28\_046  
STEERING STEM

FIG.47 FRONT WHEEL (H-5)



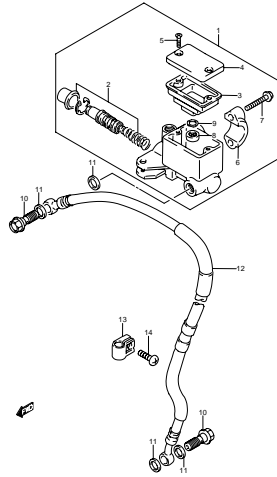
DR650SEK6 E03 E28\_047  
FRONT WHEEL

FIG.48 FRONT CALIPER (H-6)



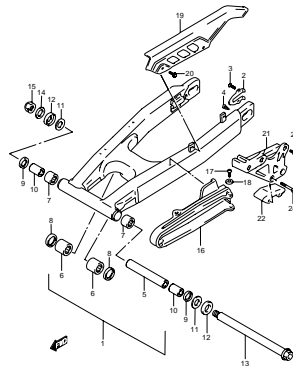
DR650SEK6 E03 E28\_048  
FRONT CALIPER

FIG.49 FRONT MASTER CYLINDER (H-7)



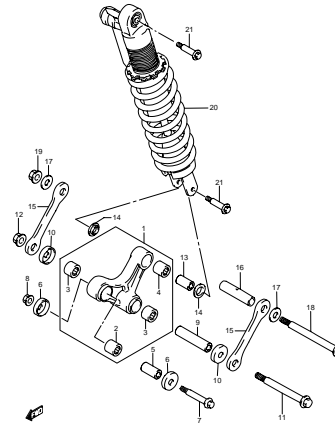
DR650SEK6 E03 E28\_049  
FRONT MASTER CYLINDER

FIG.50 REAR SWINGING ARM (H-8)



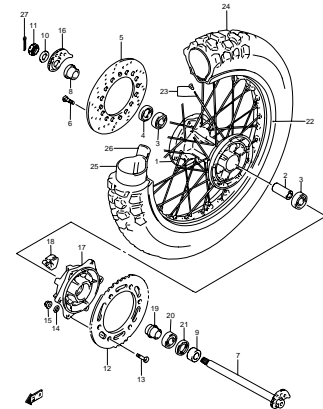
DR650SEK6 E03 E28\_050  
REAR SWINGING ARM

FIG.51 REAR CUSHION LEVER (H-9)



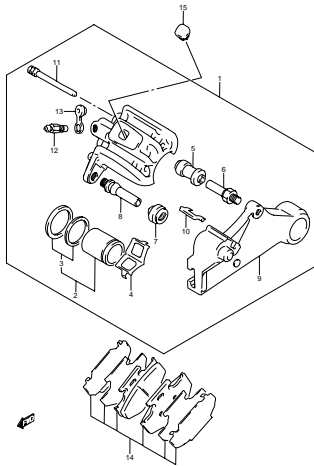
DR650SEK6 E03 E28\_051  
REAR CUSHION LEVER

FIG.52 REAR WHEEL (H-10)



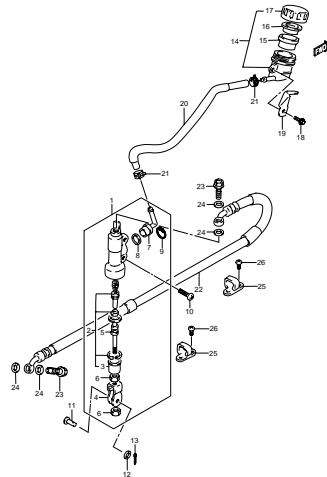
DR650SEK6 E03 E28\_052  
REAR WHEEL

FIG.53 REAR CALIPER (H-11)



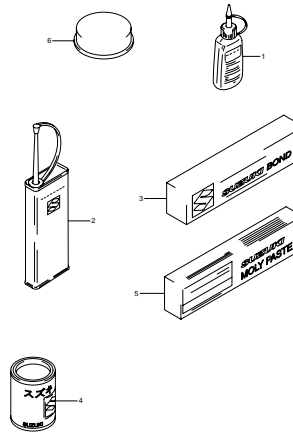
DR650SEK6 E03 E28\_053  
REAR CALIPER

FIG.54 REAR MASTER CYLINDER (H-12)



DR650SEK6 E03 E28\_054  
REAR MASTER CYLINDER

FIG.55 OPTIONAL (H-13)



DR650SEK6 E03 E28\_055  
OPTIONAL





FIG.1

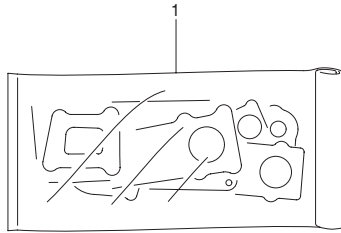


FIG.1 (B-2) GASKET SET

REF NO.	PART NO.	DESCRIPTION	Q'TY		REMARKS
1	11400-32874	GASKET SET	1	OPT	
2	11141-32E00	·GASKET , CYLINDER HEAD	1	NOT SHOWN	
3	11177-44B01	·O RING , INSPECTION CAP	1	NOT SHOWN	
4	11241-04F20	·GASKET , CYLINDER	1	NOT SHOWN	
5	11482-32E00	·GASKET , CLUTCH COVER	1	NOT SHOWN	
6	11483-32E00	·GASKET , MAGNETO COVER	1	NOT SHOWN	
7	11485-12D01	·GASKET , GEAR SHIFT COVER	1	NOT SHOWN	
8	12837-24A10	·GASKET , TENSIONER ADJUSTER	1	NOT SHOWN	
9	14181-22D01	·GASKET , EXHAUST PIPE	1	NOT SHOWN	
10	09280-15007	·O RING ( D:2.4 ,ID:15.8 )	1	NOT SHOWN	
11	09280-17003	·O RING ( D:3.1 ID:16.8 )	1	NOT SHOWN	
12	09280-46002	·O RING ( D:2.4 ID:45.7 )	1	NOT SHOWN	
13	09280-72001	·O RING ( D:2.4 ID:73.0 )	1	NOT SHOWN	

FIG.2

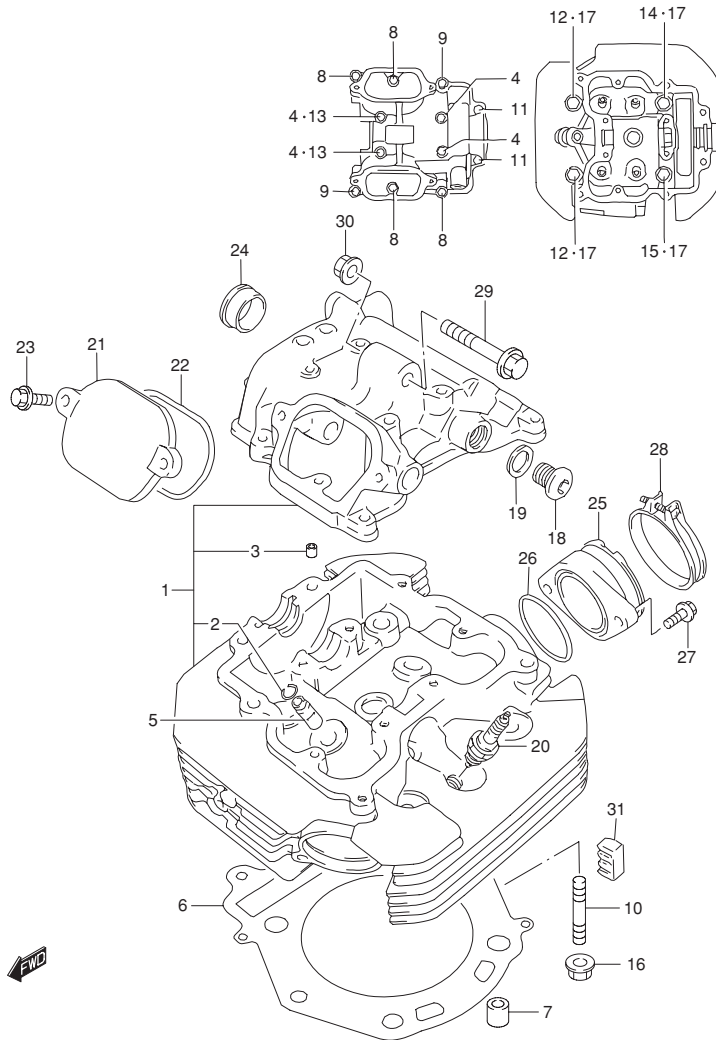


FIG.2 (B-3) CYLINDER HEAD

REF NO.	PART NO.	DESCRIPTION	Q'TY	REMARKS
1	11100-32E20	HEAD ASSY , CYLINDER	1	
2	09381-10004	·RING , VALVE GUIDE	4	
3	09206-08001	·PIN	2	
4	09103-06102	·BOLT ( 6X55 )	4	
5	11115-32E70	GUIDE , VALVE ( OS:0.3 )	4	OPT
6	11141-32E00	GASKET , CYLINDER HEAD	1	
7	04211-13189	PIN	2	
8	01550-06253	BOLT ( 6X25 )	4	
9	01550-06303	BOLT ( 6X30 )	2	
10	09108-08142	STUD BOLT ( 8X30 )	2	
11	09103-06167	BOLT ( 6X115 )	2	
12	09103-10178	BOLT ( 10X180 )	2	
13	09168-06023	WASHER	2	
14	09103-10179	BOLT ( 10X190 )	1	
15	09103-10180	BOLT ( 10X200 )	1	
16	08316-10083	NUT	2	
17	09168-10017	GASKET	4	
18	09248-14005	PLUG , HEAD COVER	2	
19	09168-14002	GASKET	2	
20-1	09482-00460	SPARK PLUG ( NGK ,CR10E )	2	
20-2	09482-00461	SPARK PLUG ( ND ,J31ESR - N )	2	
20-3	09482-00458	SPARK PLUG ( NGK ,CR9E )	2	OPT
20-4	09482-00459	SPARK PLUG ( ND ,J27ESR - N )	2	OPT
21	11175-44B00	CAP , INSPECTION	2	
22	11177-44B01	O RING	2	
23	01550-06203	BOLT	4	
24	09241-25007	PLUG , HEAD	1	
25	13110-32E00	PIPE , INTAKE	1	
26	09280-46002	O RING ( D:2.4 ID:45.7 )	1	
27	09126-06014	SCREW ( 6X16 )	2	
28	09402-58208	CLAMP	1	
29	09103-08332	BOLT ( 8X53 )	1	
30	08319-31083	NUT ( GREEN )	1	
31	11151-32E00	PAD , RUBBER	1	

FIG.3

FIG.3 (B-4) CYLINDER

REF NO.	PART NO.	DESCRIPTION	Q'TY	REMARKS
1	11211-32E10-0F0	CYLINDER	1	
2	01421-06203	STUD BOLT(L:20)(GREEN)	2	
3	08316-10063	NUT	2	
4	11241-04F20	GASKET ,CYLINDER	1	
5	04211-13189	PIN	2	

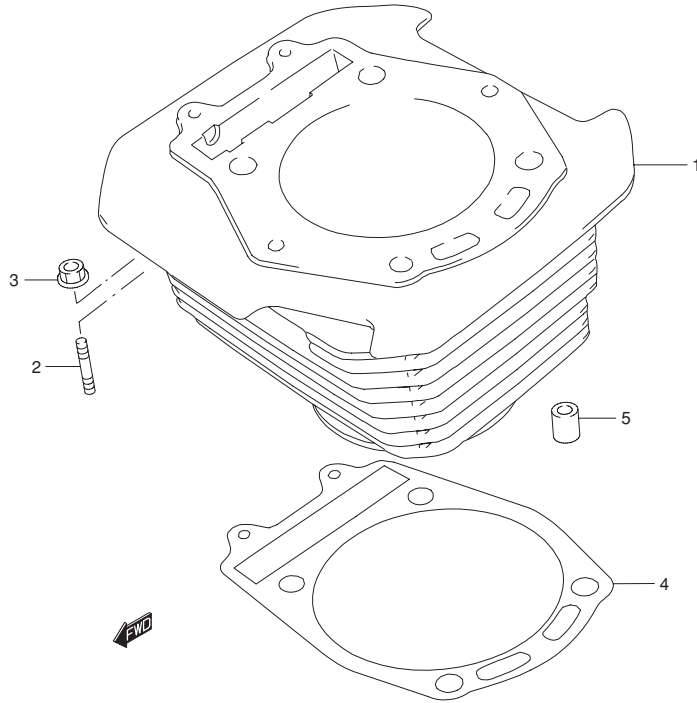


FIG.4

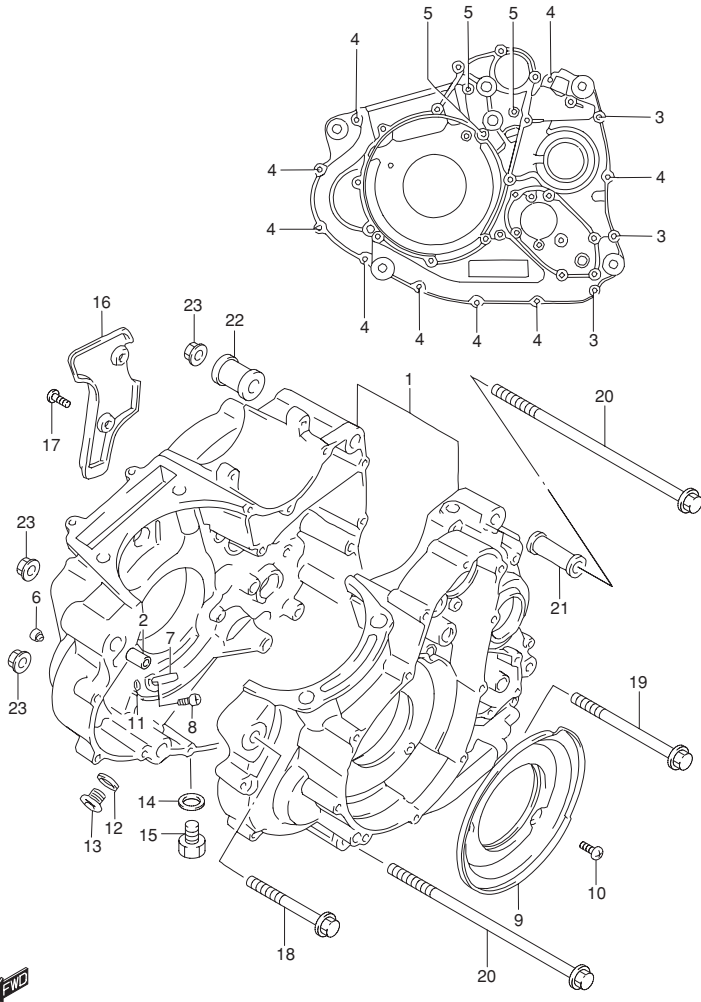


FIG.4 (B-5) CRANKCASE

REF NO.	PART NO.	DESCRIPTION	Q'TY	REMARKS
1	11300-32880	CRANKCASE SET	1	
2	09202-10006	·PIN	2	
3	09103-06261	·BOLT (L:60)	4	
4	09103-06215	·BOLT (L:40)	9	
5	01547-06803	·BOLT (6X80)	3	
6	11180-43410	·JET , OIL GALLERY	1	
7	11390-04F00	JET , PISTON COOLING	1	
8	09106-06075	BOLT ( 6X12)	1	
9	11323-32E00	SEPARATOR , OIL BREATHER	1	
10	02112-06123	SCREW	3	
11	09280-04004	O RING( D:1.2 ID:4.0)	1	
12	09168-14002	GASKET , OIL GALLERY PLUG	1	
13	09248-14005	PLUG , OIL GALLERY	1	
14	09168-14002	GASKET , OIL DRAIN PLUG	1	
15	09247-14026	PLUG , OIL DRAIN	1	
16	11317-32E00	COVER , BREATHER	1	
17	02112-06123	SCREW , BREATHER COVER	2	
18	09103-10110	BOLT( 10X100)	1	
19	09103-10237	BOLT( 10X130)	1	
20	09103-10239	BOLT( 10X235)	2	
21	11610-45410	SPACER( L:65)	1	
22	11610-20C00	SPACER( L:27)	1	
23	09159-10058	NUT	4	

FIG.5

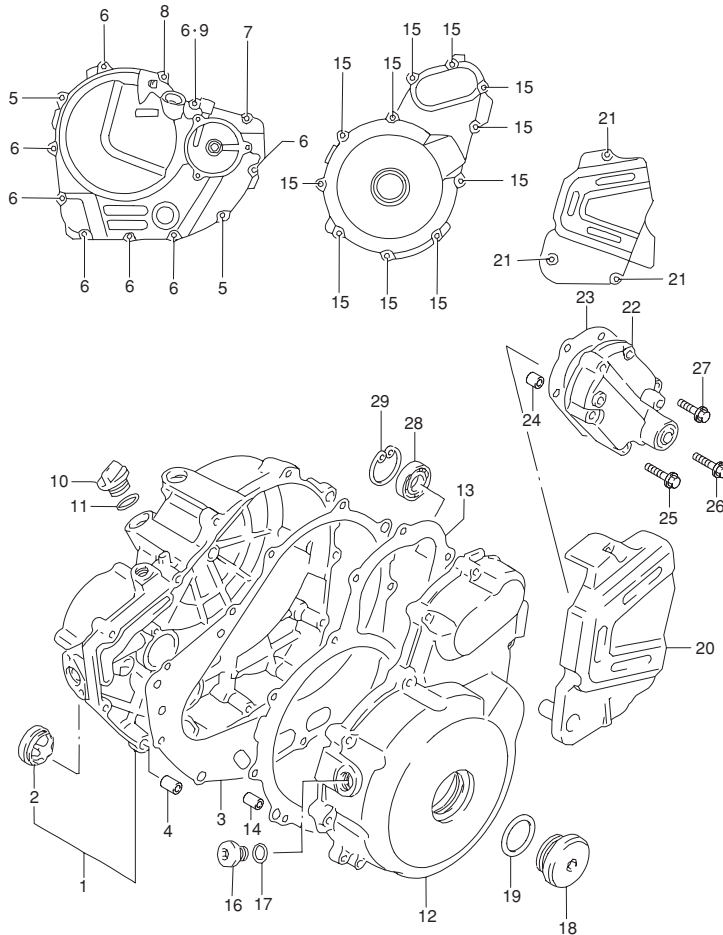


FIG.5 (B-6) CRANKCASE COVER

REF NO.	PART NO.	DESCRIPTION	Q'TY	REMARKS
1	11340-32E00	COVER , CLUTCH	1	
2	11971-33210	·LENS , OIL LEVEL	1	
3	11482-32E00	GASKET , CLUTCH COVER	1	
4	04211-09149	PIN	2	
5	09103-06224	BOLT ( L:45)	2	
6	09103-06214	BOLT ( L:35)	8	
7	09103-06213	BOLT ( L:30)	1	
8	09103-06212	BOLT ( L:25)	1	
9	09168-06023	GASKET( 5.8X13X1.2 )	1	
10	09259-20019	PLUG , OIL FILLER	1	
11	09280-17003	O RING( D:3.1 ID:16.8)	1	
12	11351-32E01	COVER , MAGNETO	1	
13	11483-32E00	GASKET	1	
14	04211-09149	PIN	1	
15	09103-06213	BOLT ( L:30)	11	
16	09248-14005	PLUG , T , D , C	1	
17	09168-14002	GASKET	1	
18	09259-36016-20H	PLUG	1	
19	09280-33004	O RING( D:3.1 ID:32.7)	1	
20	11361-32E00	COVER , ENGINE SPROCKET	1	
21	09103-06214	BOLT ( L:35)	3	
22	11371-12D30	COVER , GEAR SHIFT	1	
23	11485-12D01	GASKET	1	
24	04211-09149	PIN	2	
25	01547-06353	BOLT ( 6X35)	1	
26	01547-06303	BOLT ( 6X30)	4	
27	01547-06203	BOLT ( 6X20)	1	
28	09262-12001	BEARING , STARTER PINION SHAFT	1	
29	08331-41286	CIRCLIP	1	

FIG.6

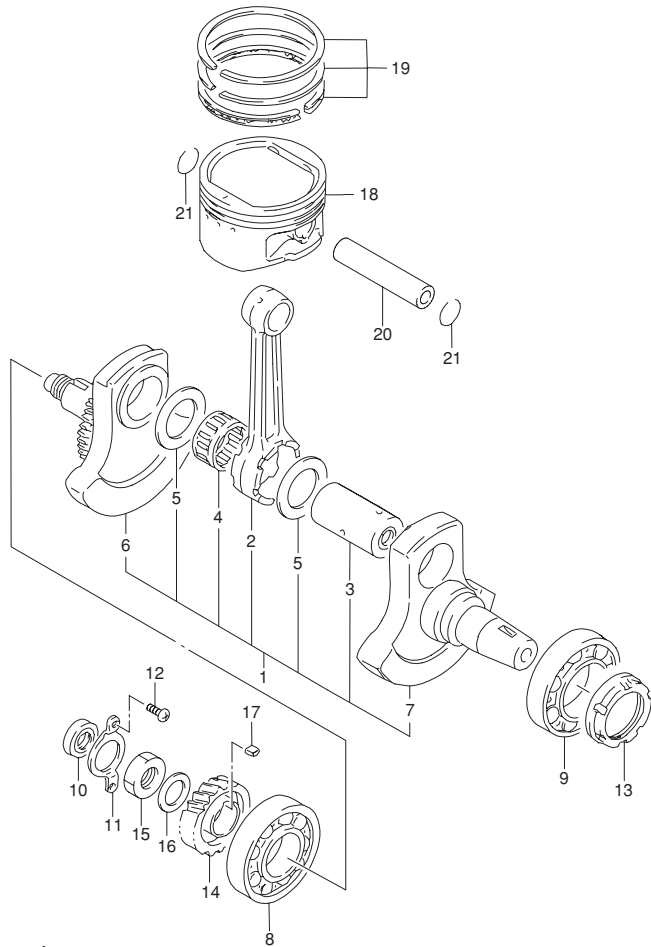


FIG.6 (B-7) CRANKSHAFT

REF NO.	PART NO.	DESCRIPTION	Q'TY	REMARKS
1	12000-32820	CRANKSHAFT SET	1	
2	12161-32E00	·ROD ,CONNECTING	1	
3	12211-32E00	·PIN ,CRANK	1	
4	09263-37004-0C0	·BEARING ( 37X47X25 )	1	
5	09160-37006	·WASHER	2	
6	12221-32810	·CRANKSHAFT SET ,RH	1	
7	12261-32E00	·CRANKSHAFT ,LH	1	
8	09262-40008	BEARING ,RH ( 40X80X18 )	1	
9	09262-45011	BEARING ,LH	1	
10	09282-16002	OIL SEAL ,RH( 16X30X6 )	1	
11	12548-37400	PLATE ,RH	1	
12	02112-05083	SCREW	2	
13	12664-04F00	NUT	1	
14	21111-32E00	GEAR ,PRIMARY DRIVE (NT:28)	1	
15	09140-20013	NUT	1	
16	09164-20003	LOCK WASHER	1	
17	09420-05007	KEY ,GEAR	1	
18	12111-32E00-0F0	PISTON	1	
19	12140-32E10	RING SET ,PISTON	1	
20	12151-14A01	PIN ,PISTON	1	
21	09381-23003	CIRCLIP	2	

FIG.7

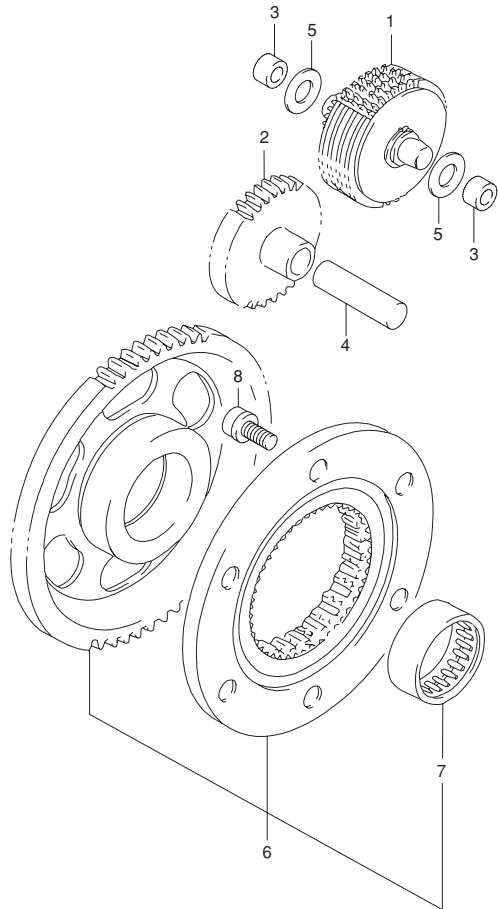


FIG.7 (B-8) STARTER CLUTCH

REF NO.	PART NO.	DESCRIPTION	Q'TY	REMARKS
1	12600-12D00	LIMITER ASSY , STARTER IDLE GEAR	1	
2	12612-12D01	GEAR , STARTER IDLE NO.2 (NT:27)	1	
3	12618-31D01	BUSH ,LIMITER SHAFT	1	
4	09202-12002	PIN ,IDLE GEAR NO.2	1	
5	08211-10221	WASHER	2	
6	12600-09860	CLUTCH SET , STARTER	1	
7	09263-31009	·BEARING ( 31X39X17.8 )	1	
8	07130-08203	BOLT	6	



FIG.8

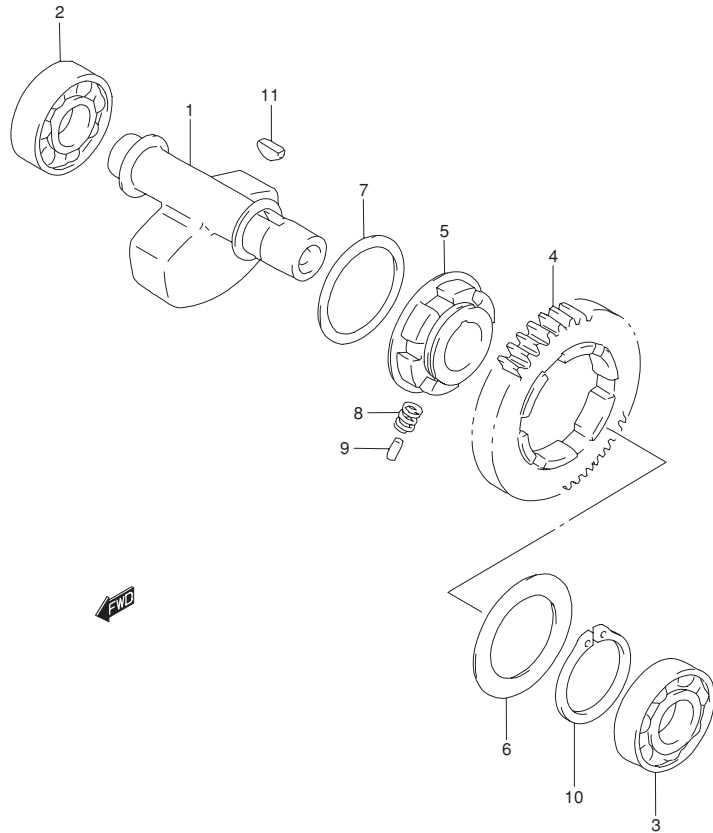


FIG.8 (B-9) CRANK BALANCER

REF NO.	PART NO.	DESCRIPTION	Q'TY	REMARKS
1	12651-32E00	BALANCER ,CRANK	1	
2	09262-22029	BEARING ,RH ( 22X56X16 )	1	
3	09262-20121	BEARING ,LH ( 20X47X14 )	1	
4	12666-32E00	GEAR ,BALANCER DRIVEN( NT:43 )	1	
5	12669-32E00	RACE	1	
6	09164-38003	WASHER	1	
7	08211-38582	WASHER ,DRIVEN GEAR	1	
8	09440-09031	SPRING	6	
9	09202-04017	PIN	3	
10	08331-31383	CIRCLIP	1	
11	09420-04008	KEY	1	

FIG.9

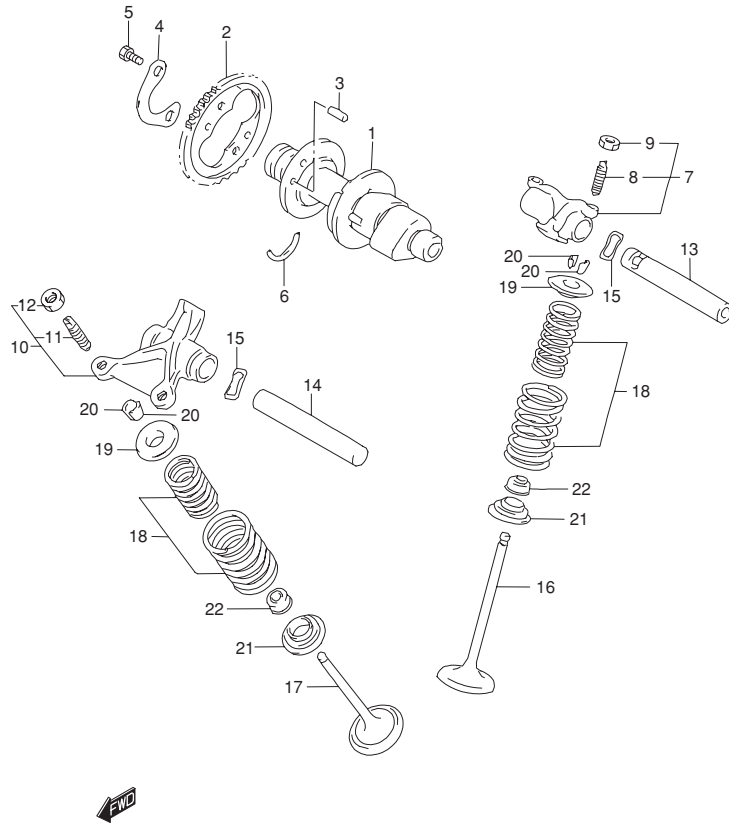


FIG.9 (B-10) CAM SHAFT - VALVE

REF NO.	PART NO.	DESCRIPTION	Q'TY	REMARKS
1	12710-32E01	CAM SHAFT	1	
2	12741-32E00	SPROCKET( NT:38 )	1	
3	09261-05005	PIN	1	
4	12747-44B00	WASHER	1	
5	09111-06032	BOLT( 6X10.5 )	2	
6	09390-22002	C RING	1	
7	12840-32E00	ARM , VALVE ROCKER INTAKE	1	
8	12842-38A00	·SCREW	2	
9	12843-32400	·NUT	2	
10	12850-32E00	ARM , VALVE ROCKER EXHAUST	1	
11	12842-38A00	·SCREW	2	
12	12843-32400	·NUT	2	
13	12861-14D50	SHAFT , ROCKER ARM IN	1	
14	12871-14D50	SHAFT , ROCKER ARM EX	1	
15	09164-12018	WASHER	2	
16	12911-19B00	VALVE ,INTAKE	2	
17	12912-42A00	VALVE ,EXHAUST	2	
18	12920-32E00	SPRING SET , VALVE	4	
19	12931-33200	RETAINER	4	
20	12932-24400	COTTER ,VALVE	8	
21	12933-81400	SEAT ,VALVE	4	
22	09289-05015	OIL SEAL( 5.5X11X8.2 )	4	

FIG.10

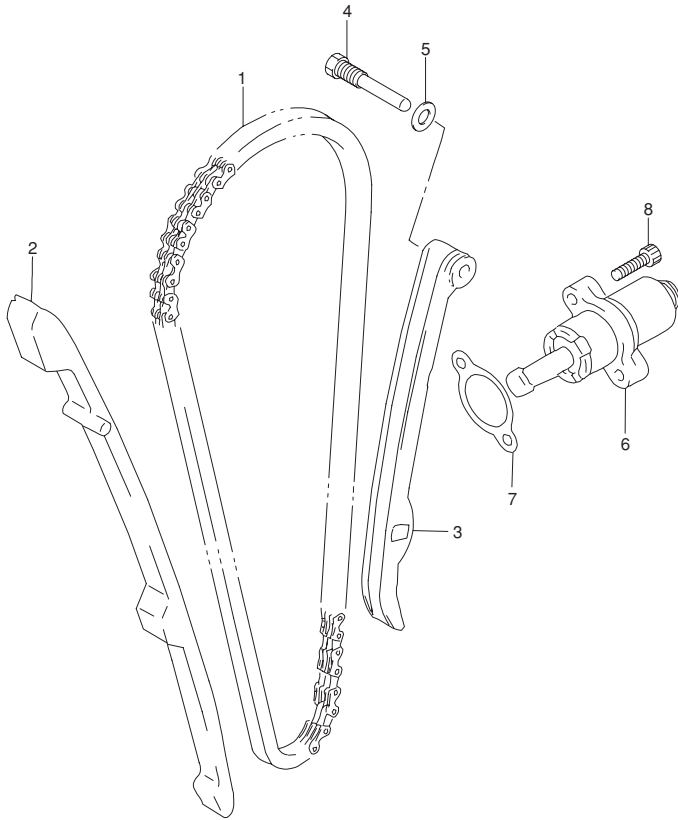


FIG.10 (B-11) CAM CHAIN

REF NO.	PART NO.	DESCRIPTION	Q'TY	REMARKS
1	12760-32E00	CHAIN ,CAM SHAFT DRIVE	1	120LE
2	12771-32E00	GUIDE ,CAM CHAIN	1	
3	12811-32E00	TENSIONER ,CAM CHAIN	1	
4	12812-32410	BOLT	1	
5	09168-08016	WASHER	1	
6	12830-32E00	ADJUSTER ASSY , TENSIONER	1	
7	12837-24A10	GASKET ,ADJUSTER	1	
8	07130-06253	BOLT	2	

FIG.11

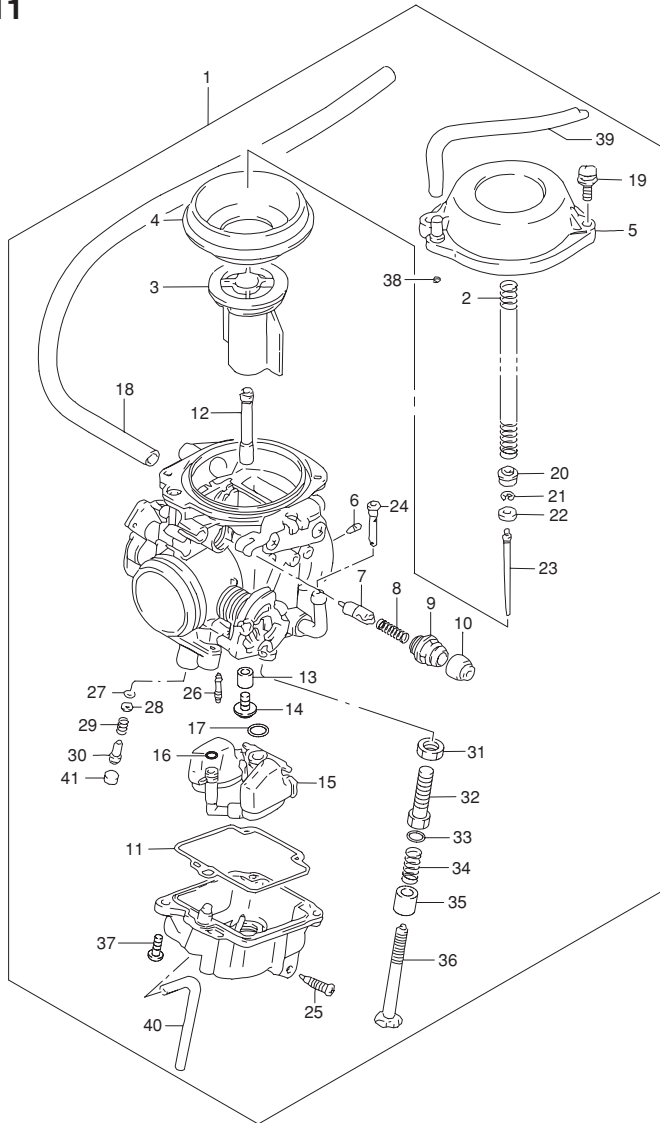


FIG.11 (C-2) CARBURETOR

REF NO.	PART NO.	DESCRIPTION	Q'TY	REMARKS
1-1	13200-32E12	CARBURETOR ASSY	1	E3 E28
1-2	13200-32E61	CARBURETOR ASSY	1	E33
2	13417-17D00	·SPRING	1	
3	13501-32E00	·VALVE , PISTON	1	
4	13507-07D01	·DIAPHRAGM	1	
5	13502-41C00	·COVER , DIAPHRAGM	1	
6	09493-20007	·JET , PILOT AIR( 1.0 )	1	
7	13411-12D00	·PLUNGER ASSY	1	
8	13417-22010	·SPRING	1	
9	13418-43410	·HOLDER , GUIDE	1	
10	13681-04010	·CAP	1	
11	13258-44B00	·GASKET , FLOAT CHAMBER	1	
12	09494-00884	·JET , NEEDLE ( Y - 5M )	1	
13	13331-07D00	·RING	1	
14	09491-28010	·JET , MAIN( 140 )	1	
15	13250-12EH0	·FLOAT/NEEDLE VALVE ASSY	1	
16	13374-46710	·O RING	1	
17	13374-35C00	·O RING	1	
18	13683-32E00	·HOSE ( 6.5X10.5X275 )	1	
19	02112-75163	·SCREW	2	
20	13331-12D00	·RING	1	
21	13394-31210	·E RING	1	
22	13387-07D00	·RING	1	
23	13383-32E10	·NEEDLE , JET ( 6F23 - 1 )	1	
24	13236-12C00	·FILTER	1	
25	13247-13A00	·SCREW , DRAIN	1	
26	09492-42010	·JET , PILOT ( 42.5 )	1	
27	13295-29900	·O RING	1	
28	13291-29900	·WASHER	1	
29	13268-47070	·SPRING	1	

FIG.11

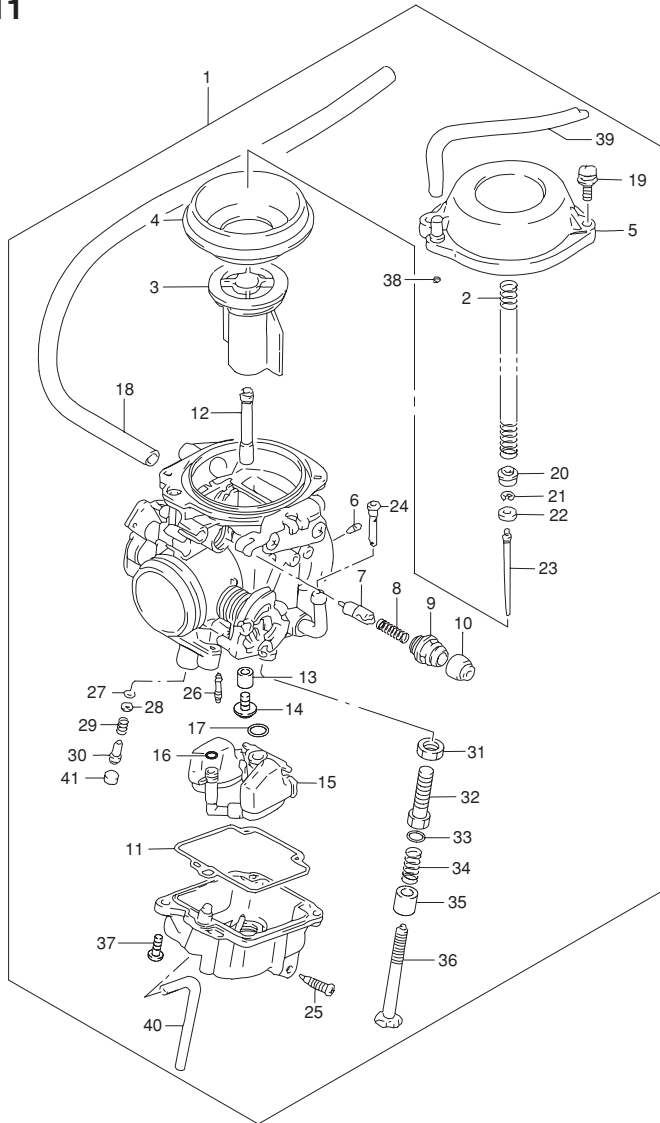


FIG.11 (C-3) CARBURETOR

REF NO.	PART NO.	DESCRIPTION	Q'TY	REMARKS
30	13279-47070	·SCREW ,PILOT(1 ,1/2)	1	
31	13607-37010	·NUT	1	
32	13267-31D00	·ADJUSTER	1	
33	13615-43010	·WASHER	1	
34	13271-33C00	·SPRING	1	
35	13432-95210	·RING	1	
36	13267-31D10	·ADJUSTER	1	
37	13601-05148	·SCREW	2	
38	13278-02340	·O RING	1	
39	09355-45855-600	·HOSE ( 4.5X8.5X600 )	1	L:600 250
40	13684-32E10	·HOSE ( 3X5X450 )	1	E33
41	13281-05A00	·PLUG	1	



FIG.12

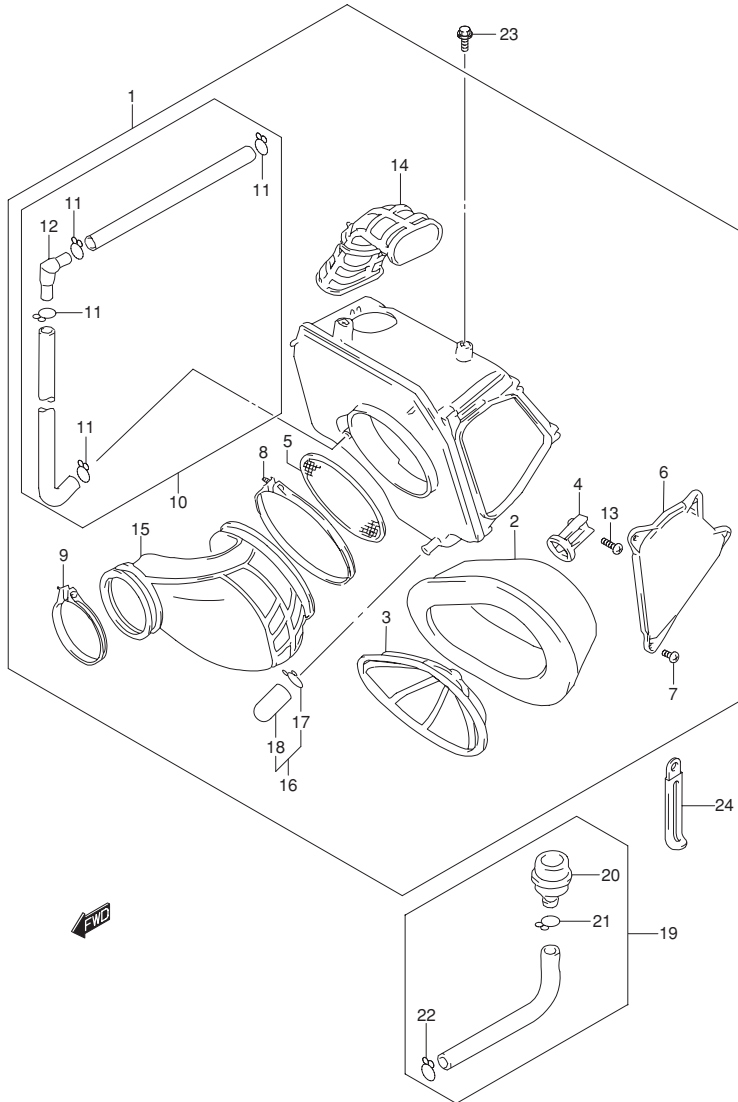


FIG.12 (C-4) AIR CLEANER

REF NO.	PART NO.	DESCRIPTION	Q'TY	REMARKS
1	13700-32E00	CLEANER ASSY ,AIR	1	
2	13780-32E00	·FILTER	1	
3	13791-32E00	·HOLDER	1	
4	13792-32E00	·STOPPER	1	
5	13810-14D02	·TRAP ,FRAME	1	
6	13740-32E00	·CAP	1	
7	02142-05123	·BOLT	4	
8	13826-14D01	·CLAMP	1	
9	09402-64203	·CLAMP	1	
10	13850-32E00	·TUBE ASSY ,BREATHER	1	
11	09401-14301	··CLIP	4	
12	13858-14D10	··JOINT	1	
13	02142-06203	·SCREW	1	
14	13891-32E00	·TUBE ,INLET	1	
15	13881-32E00	·TUBE ,OUTLET	1	
16	13856-19B03	·PLUG ASSY ,DRAIN	1	
17	09401-14301	··CLIP	1	
18	13859-41B10	··PLUG	1	
19	13800-32E00	CLEANER ASSY ,2ND	1	
20	18780-32E00	·FILTER	1	
21	09401-16401	·CLIP	1	
22	09401-14301	·CLIP	1	
23	01550-06123	BOLT	3	
24	09404-06433	CLAMP	1	

FIG.13

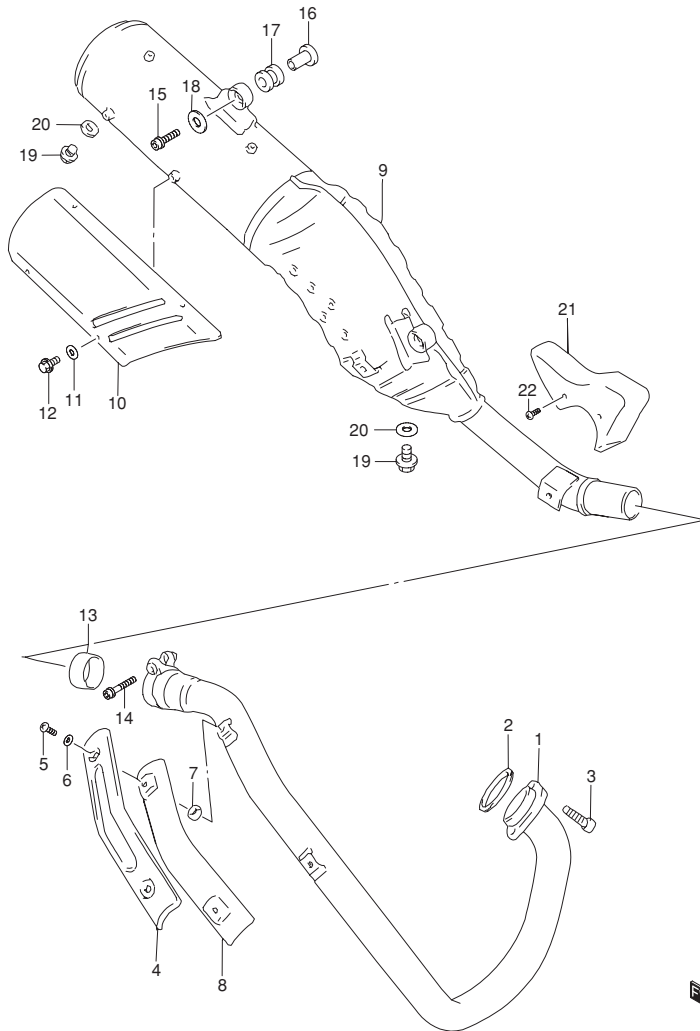


FIG.13 (C-5) MUFFLER

REF NO.	PART NO.	DESCRIPTION	Q'TY	REMARKS
1	14150-32E10	PIPE ,EXHAUST	1	
2	14181-22D01	GASKET ,EXHAUST PIPE	1	
3	07130-08253	BOLT	2	
4	14180-32E00	COVER ,EXHAUST PIPE	1	
5	09139-06091	BOLT( 6X12 )	2	
6	09160-06082	WASHER	2	
7	09168-06122	GASKET	2	
8	14186-32E00	COVER ,EXHAUST PIPE INNER	1	
9	14310-32E31-H01	BODY ,MUFFLER	1	
10	14781-32E00	COVER ,MUFFLER	1	
11	09160-06082	WASHER	4	
12	09139-06078	BOLT( 6X10 )	4	
13	14771-32E00	CONNECTOR	1	
14	07120-08403	BOLT	1	
15	09106-08131	BOLT( 8X22 )	3	
16	09180-08151	SPACER ( 8.6X12X17.5 )	3	
17	09320-12043	CUSHION	3	
18	09160-08135	WASHER ( 8.5X28X1.6 )	3	
19	09247-12103	PLUG ,DRAIN	2	
20	09168-12002	GASKET	2	
21	14782-32E00	COVER ,CONNECTOR CLAMP	1	
22	09139-06078	SCREW( 6X10 )	2	

FIG.14

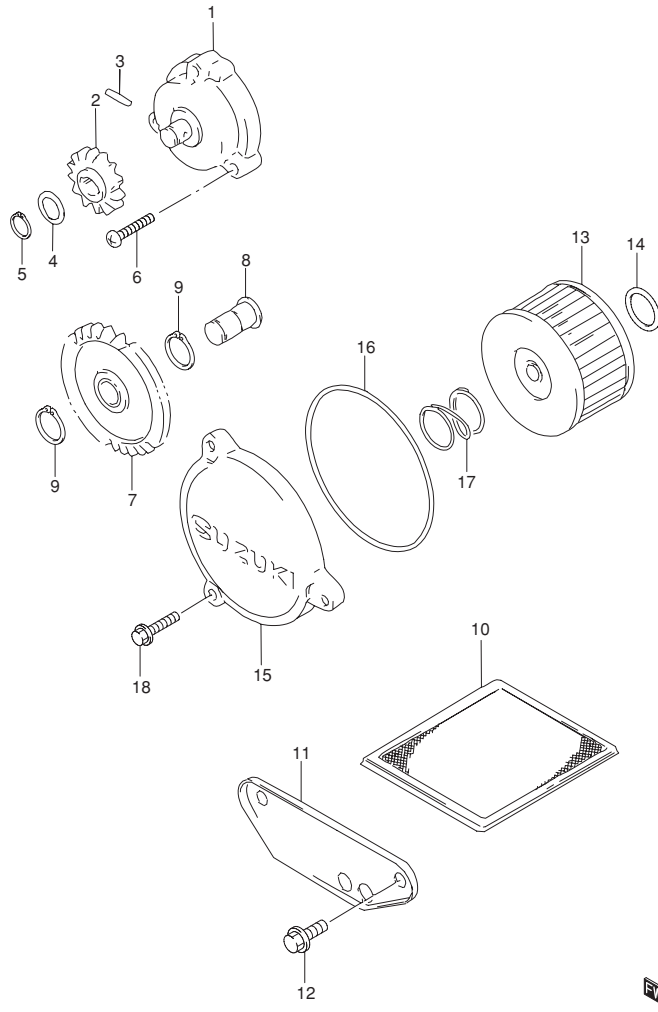


FIG.14 (C-6) OIL PUMP

REF NO.	PART NO.	DESCRIPTION	Q'TY	REMARKS
1	16400-32E00	PUMP ,ENGINE OIL	1	
2	16331-32E00	GEAR ,DRIVEN( NT:15)	1	
3	09261-04009	PIN	1	
4	09181-10186	WASHER( 10X20X0.5 )	1	
5	08331-31106	CIRCLIP	1	
6	02112-06253	SCREW	3	
7	16321-32E00	GEAR , OIL PUMP DRIVE( NT:30)	1	
8	16322-32E01	SHAFT	1	
9	08331-31126	CIRCLIP	2	
10	16520-32E00	STRAINER ,ENGINE OIL	1	
11	16523-32E00	CAP	1	
12	09103-06083	BOLT( 6X12)	2	
13	16510-37450	FILTER , ENGINE OIL	1	
14	09280-15007	O RING( D:2.4 ,ID:15.8)	1	
15	16512-14D00	CAP , OIL FILTER	1	
16	09280-72001	O RING( D:2.4 ,ID:73 )	1	
17	09440-21006	SPRING	1	
18	01547-06167	BOLT	3	



FIG.15

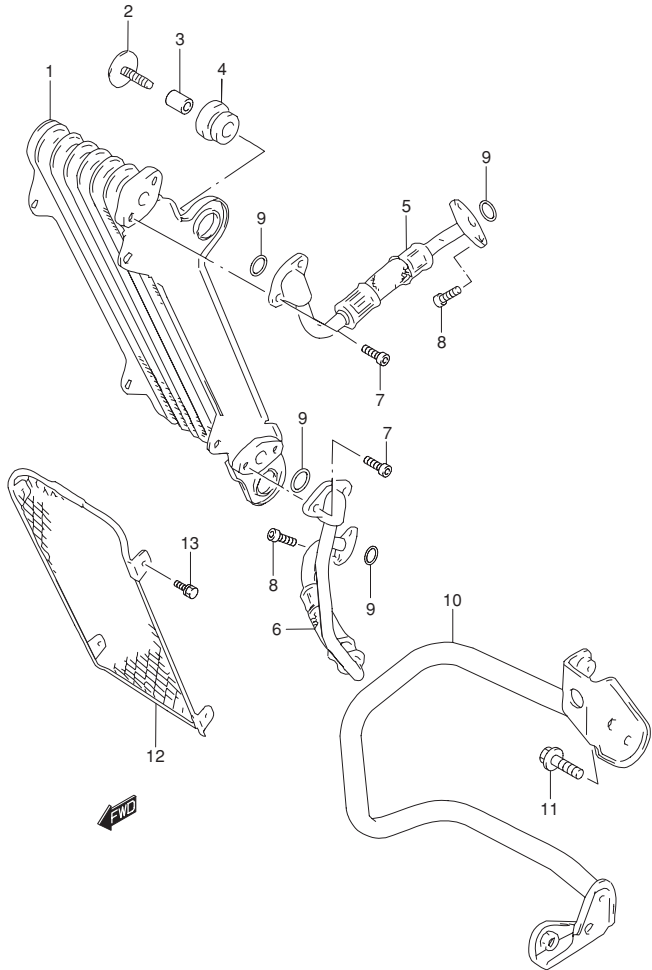


FIG.15 (C-7) OIL COOLER

REF NO.	PART NO.	DESCRIPTION	Q'TY	REMARKS
1	16600-32E00	COOLER ASSY ,OIL	1	
2	09116-08105	BOLT( 8X28 )	2	
3	09180-08193	SPACER	2	
4	16629-12D00	CUSHION ,OIL COOLER	2	
5	16460-32E00	HOSE ,OIL COOLER NO.1	1	
6	16470-32E00	HOSE ,OIL COOLER NO.2	1	
7	07130-06163	BOLT ,OIL HOSE O/C SIDE	4	
8	01547-06163	BOLT ,OIL HOSE ENGINE SIDE	4	
9	09280-12012	O RING( D:2.4 ,ID:11.8 )	4	
10	16640-32E11	GUARD	1	
11	01550-08203	BOLT	1	
12	16650-32E00	BUMPER ,OIL COOLER	1	
13	02162-05103	BOLT ,OIL COOLER BUMPER	4	

FIG.16

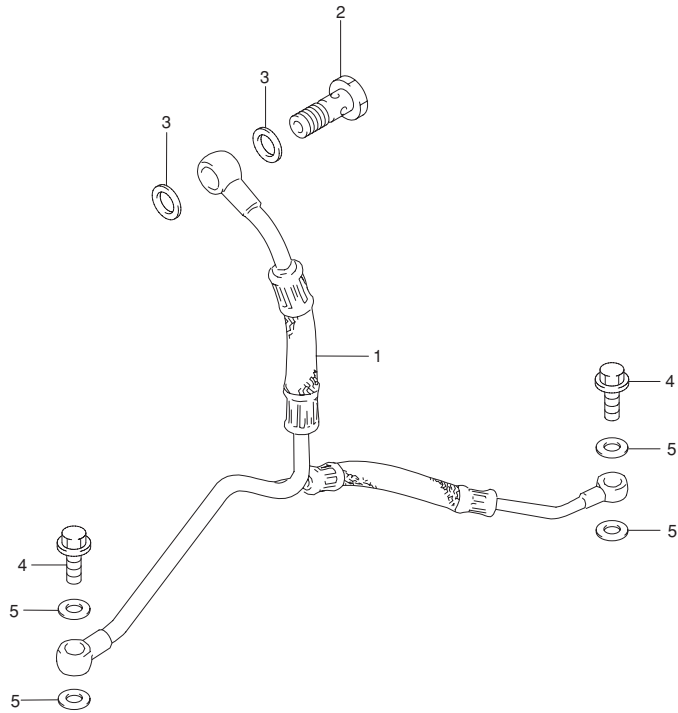


FIG.16 (C-8) OIL PIPE

REF NO.	PART NO.	DESCRIPTION	Q'TY	REMARKS
1	16480-32E10	PIPE ,T/M & SHAFT OIL	1	
2	09360-12008	BOLT ,UNION( 12X27 )	1	
3	09168-12017	GASKET	2	
4	09360-10032	BOLT ,UNION( 10X24 )	2	
5	09168-10007	GASKET	4	



FIG.17

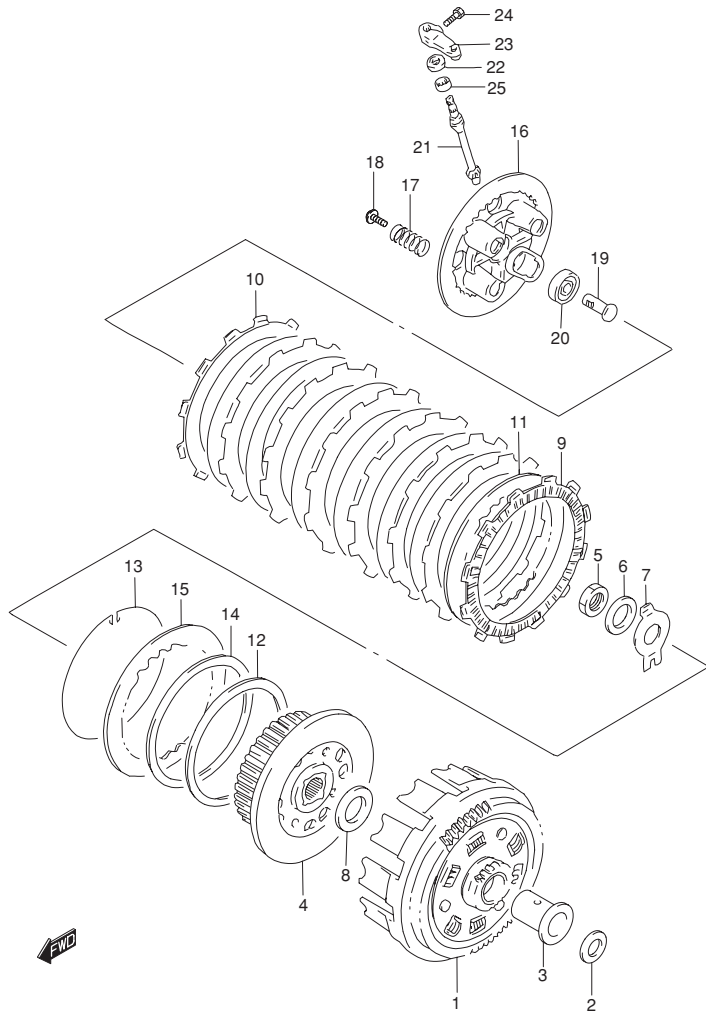


FIG.17 (C-9) CLUTCH

REF NO.	PART NO.	DESCRIPTION	Q'TY	REMARKS
1	21200-44B13	GEAR ,PRIMARY( NT:61/20)	1	
2	09160-22032	WASHER ( 22X32X3.0 )	1	
3	21251-32E00	SPACER	1	
4	21410-44B00	HUB ,SLEEVE	1	
5	09140-20001	NUT	1	
6	09164-20002	WAVE WASHER	1	
7	09169-20005	WASHER ( 20.2X44X13 )	1	
8	09160-22068	WASHER ( 22X44X2.0 )	1	
9	21441-31D00	PLATE ,DRIVE ( T:3 )	7	
10	21441-44B01	PLATE ,DRIVE ( T:3 )	1	
11	21451-44B00	PLATE ,DRIVEN ,NO.1	7	T:1.6
12	21471-49100	SEAT ,WAVE WASHER	1	
13	21481-45100	RING ,WAVE WASHER STOPPER	1	
14	09164-00003	WASHER ( 117X132.5X1.2 )	1	
15	21451-49200	PLATE ( 117X132.5X1.20 )	1	T:2
16	21462-31D00	DISK ,PRESSURE	1	
17	09440-20016	SPRING	4	
18	09116-06168	BOLT ( 6X16 )	4	
19	23165-31D00	RACK ,RELEASE	1	
20	08150-62007	BEARING	1	
21	23261-32E00	PINION ,RELEASE	1	
22	09285-10004	OIL SEAL ( 10X17X5 )	1	
23	23271-31D00	ARM ,RELEASE	1	
24	01500-06163	BOLT	1	
25	09263-12024	BEARING ( 12X16X10 )	1	

FIG.18

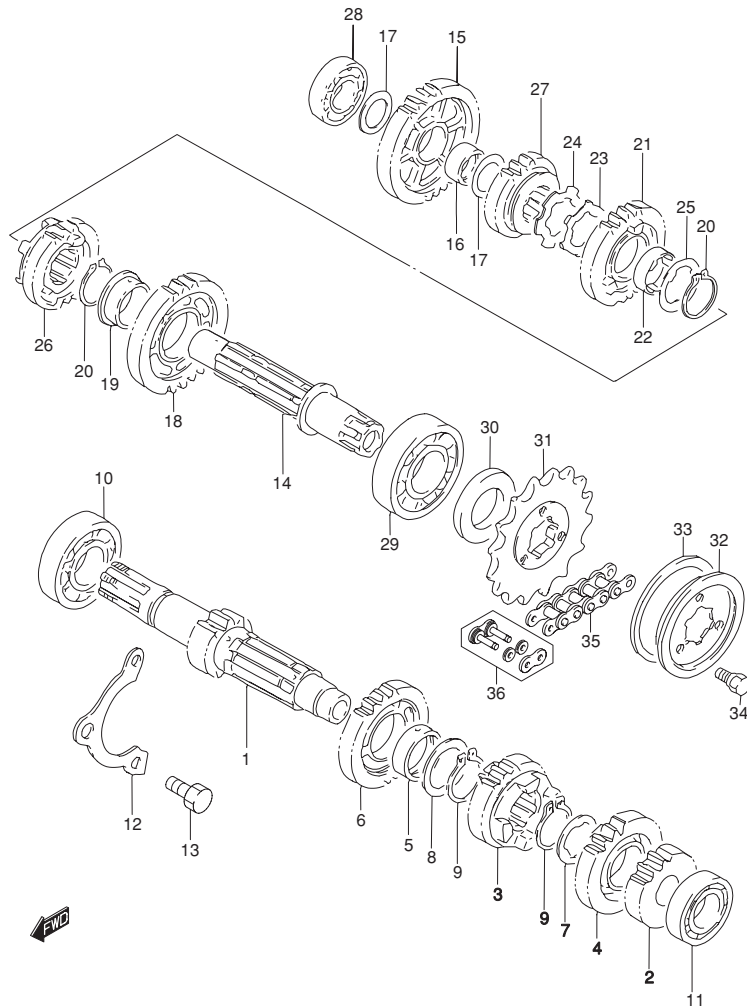


FIG.18 (C-10) TRANSMISSION

REF NO.	PART NO.	DESCRIPTION	Q'TY	REMARKS
1	24120-14810	COUNTERSHAFT(NT:12)	1	
2	24221-14A10	GEAR ,2ND DRIVE( NT:16)	1	
3	24231-12D20	GEAR ,3RD DRIVE( NT:21)	1	
4	24241-14A10	GEAR ,4TH DRIVE( NT:21)	1	
5	24252-19F00	BUSH ,5TH	1	
6	24251-14A10	GEAR ,5TH DRIVE( NT:23)	1	
7	09167-25012	WASHER	1	
8	09181-25167	WASHER(25X34X1.0)	1	
9	09380-25003	CIRCLIP	2	
10	09262-22028	BEARING ,RH(22X56X16)	1	
11	09262-17046	BEARING ,LH(17X40X12)	1	
12	24741-14A00	HOLDER ,BEARING	1	
13	01500-08163	BOLT	3	
14	24130-14A10	DRIVE SHAFT	1	
15	24311-14A01	GEAR ,1ST DRIVEN( NT:29)	1	
16	09300-20032	BUSH	1	
17	09181-20195	WASHER(20X30X1.0)	2	
18	24321-14A10	GEAR ,2ND DRIVEN( NT:26)	1	
19	09301-25002	BUSH	1	
20	09380-25003	CIRCLIP	2	
21	24331-14A20	GEAR ,3RD DRIVEN( NT:26)	1	
22	24332-24510	BUSH	1	
23	09169-25001	WASHER	1	
24	09167-25013	WASHER	1	
25	09167-25016	WASHER	1	

FIG.18

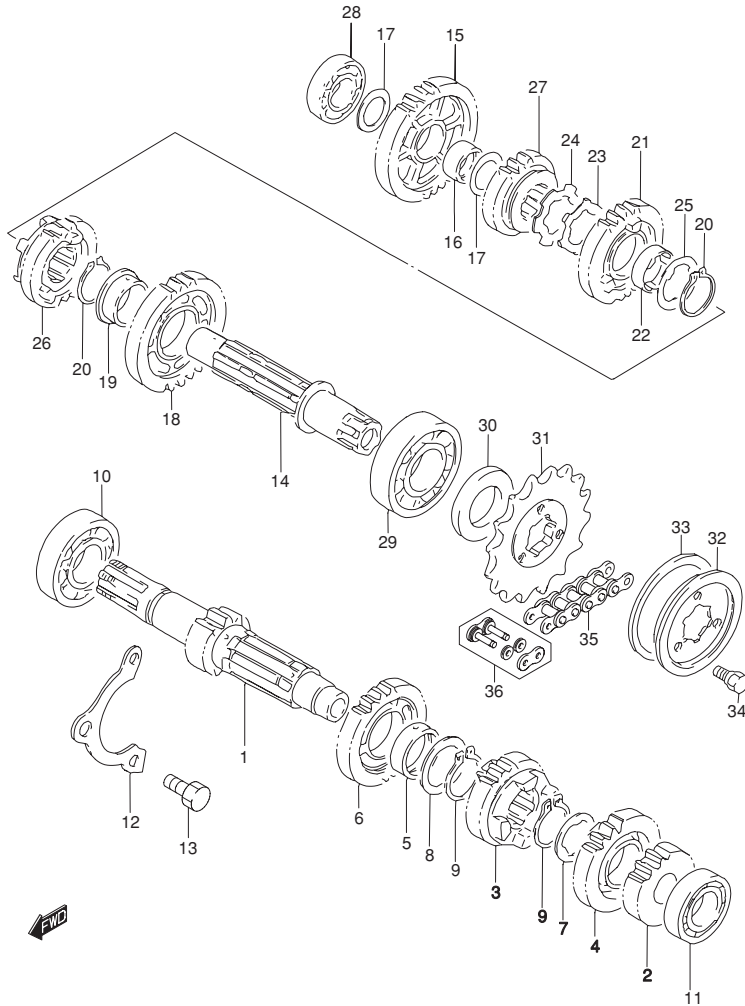


FIG.18 (C-11) TRANSMISSION

REF NO.	PART NO.	DESCRIPTION	Q'TY	REMARKS
26	24341-14A10	GEAR ,4TH DRIVEN( NT:21 )	1	
27	24351-14A10	GEAR ,5TH DRIVEN( NT:19 )	1	
28	09262-20059	BEARING ,RH (20X42X12 )	1	
29	09262-25125	BEARING ,LH (25X62X17 )	1	
30	09283-25096	OIL SEAL ,LH (25X44X7 )	1	
31	27511-31D00	SPROCKET ( NT:15 )	1	
32	27512-44B00	PLATE ( YELLOW )	1	
33	27517-37400	DAMPER	1	
34	09111-06039	BOLT	3	
35	27600-32C10-110	CHAIN ,DRIVE ( DID525V8X110LE )	1	
36	27620-32C10	JOINT SET ,CHAIN	1	OPT

FIG.19

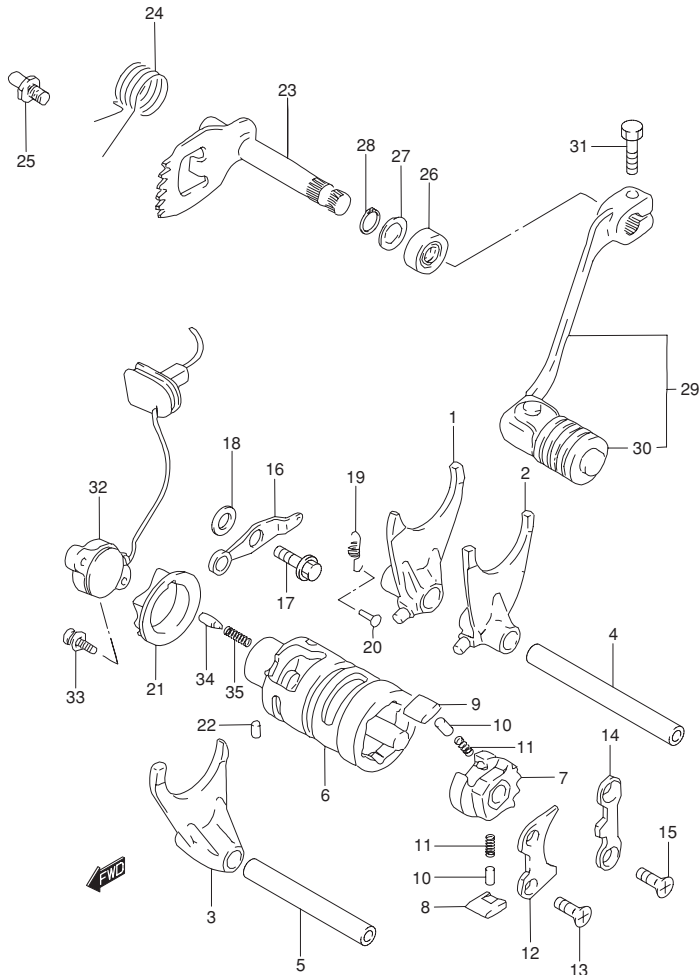


FIG.19 (C-12) GEAR SHIFTING

REF NO.	PART NO.	DESCRIPTION	Q'TY	REMARKS
1	25211-37401	FORK , GEAR SHIFTING NO.1	1	
2	25221-37401	FORK , GEAR SHIFTING NO.2	1	
3	25231-14A01	FORK , GEAR SHIFTING NO.3	1	
4	25411-20A11	SHAFT , FORK NO.1	1	L:95
5	25421-14A02	SHAFT , FORK NO.2	1	L:75
6	25310-37400	CAM , GEAR SHIFTING	1	
7	25322-31310	GEAR , CAM DRIVEN	1	
8	25323-34201	PAWL , NO.1	1	
9	25324-34201	PAWL , NO.2	1	
10	09261-05003	PIN	2	
11	09440-04003	SPRING	2	
12	25331-14A00	LIFTER , PAWL	1	
13	09126-06011	SCREW ( 6X12 )	2	
14	25341-40001	GUIDE , CAM	1	
15	09126-06011	SCREW ( 6X12 )	2	
16	25350-37400	STOPPER	1	
17	09111-06054	BOLT	1	
18	08211-06141	WASHER	1	
19	09443-08020	SPRING	1	
20	09223-04001	HOOK	1	
21	25381-37401	PLATE , STOPPER	1	
22	04221-04069	PIN	1	
23	25510-32E00	SHAFT , GEAR SHIFTING	1	
24	09444-26023	SPRING	1	
25	25671-01011	STOPPER , ARM	1	
26	09285-12002	OIL SEAL ( 12X22X9 )	1	
27	08212-12201	WASHER	1	
28	08331-31126	CIRCLIP	1	

FIG.19

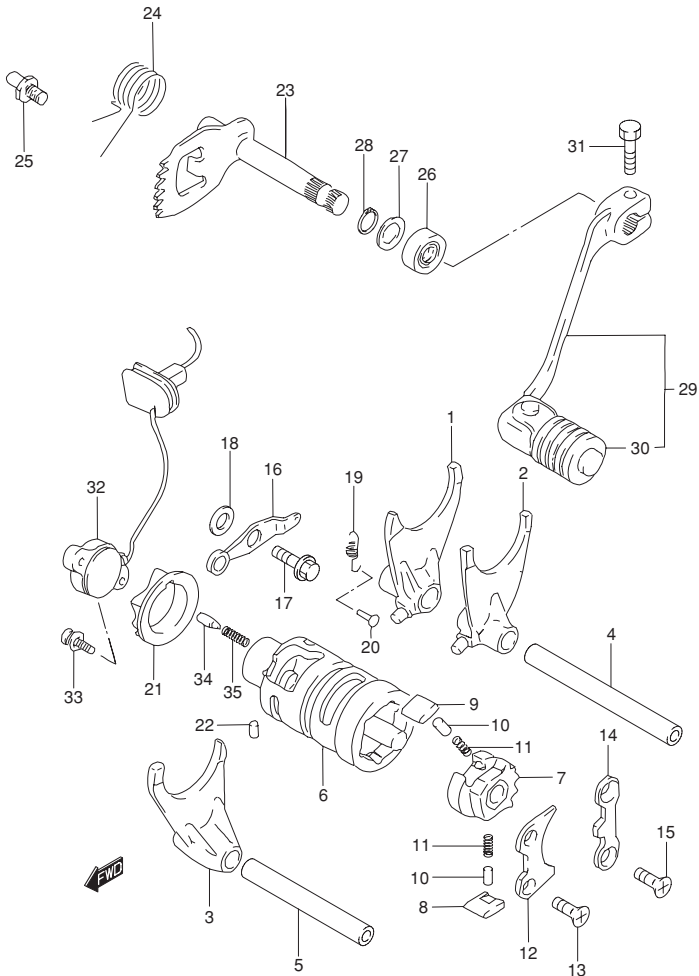


FIG.19 (C-13) GEAR SHIFTING

REF NO.	PART NO.	DESCRIPTION	Q'TY	REMARKS
29	25600-32E00	LEVER ASSY ,GEAR SHIFTING	1	
30	25652-03D00	·RUBBER	1	
31	01500-06203	BOLT	1	
32	37720-32E10	BASE ASSY ,GEAR SHIFT TERM	1	
33	02112-05163	SCREW	2	
34	09209-05011	CONTACT	1	
35	09440-04010	SPRING	1	

FIG.20

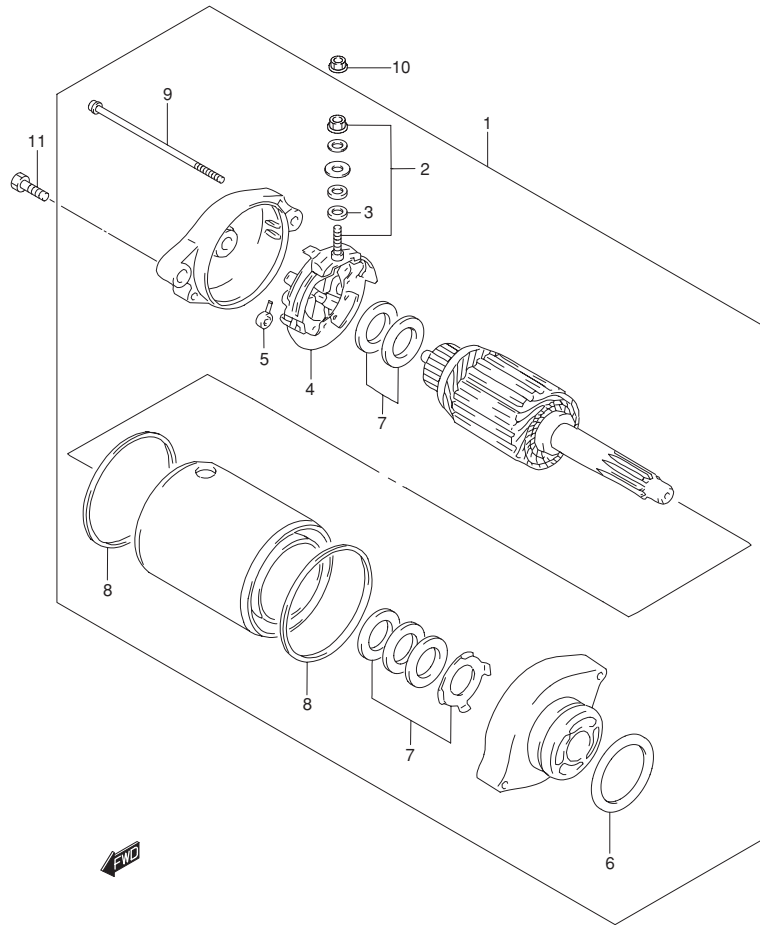
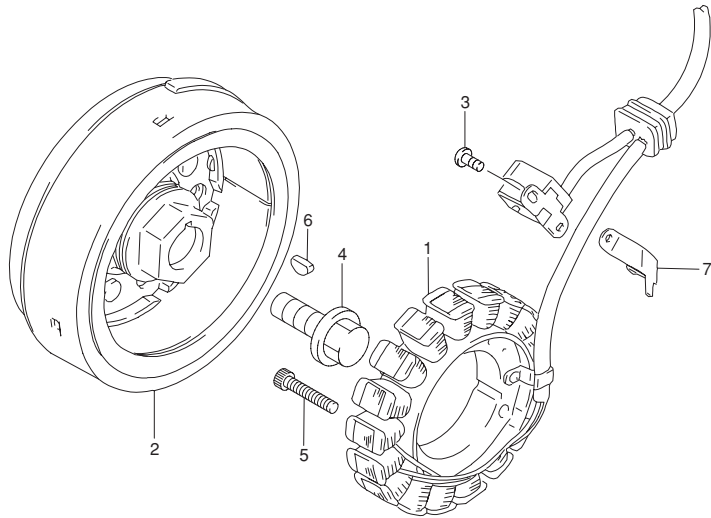


FIG.20 (D-2) STARTING MOTOR

REF NO.	PART NO.	DESCRIPTION	Q'TY	REMARKS
1	31100-32E01	MOTOR ASSY , STARTING	1	
2	31130-38B00	·TERMINAL SET , BRUSH	1	
3	31143-49040	·O RING	1	
4	31132-38B00	·HOLDER SET , BRUSH	1	
5	31135-38B00	·SPRING , BRUSH	4	
6	31156-48B00	·O RING	1	
7	31170-32E00	·WASHER SET	1	
8	31264-31300	·O RING	2	
9	31280-26D00	·BOLT	2	
10	08361-35068	NUT	1	
11	01547-06303	BOLT	2	



**FIG.21**



**FIG.21 (D-3) MAGNETO**

REF NO.	PART NO.	DESCRIPTION	Q'TY	REMARKS
1	32101-32E00	STATOR ASSY	1	
2	32102-32E00	ROTOR	1	
3	02112-05103	BOLT	2	
4	09103-14001	BOLT( 14X43)	1	
5	07130-06303	BOLT	3	
6	09420-05007	KEY	1	
7	32371-32E00	CLAMP	1	

**3**



FIG.22

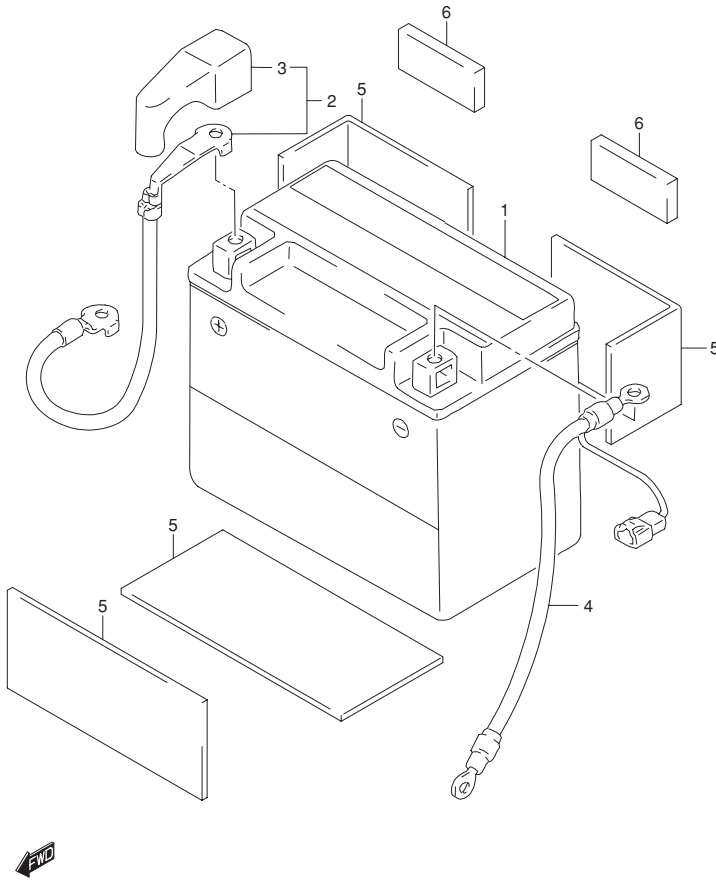


FIG.22 (D-4) BATTERY

REF NO.	PART NO.	DESCRIPTION	Q'TY	REMARKS
1	33610-32C10	BATTERY( 12V ,8AH )	1	
2	33820-32E00	LEAD WIRE , BATTERY ( + )	1	
3	33624-32E00	-CAP , BATTERY PLUS TERMINAL	1	
4	33860-32E00	WIRE , BATTERY MINUS	1	
5	33651-37000	CUSHION( 170X95X3.0 )	4	CUT AS REQUIRED PROFILE ( 115X50 X 130X60 )
6	33652-08420	PROTECTOR( 70X100X6 )	2	CUT AS REQUIRED PROFILE ( 20X45 )

FIG.23

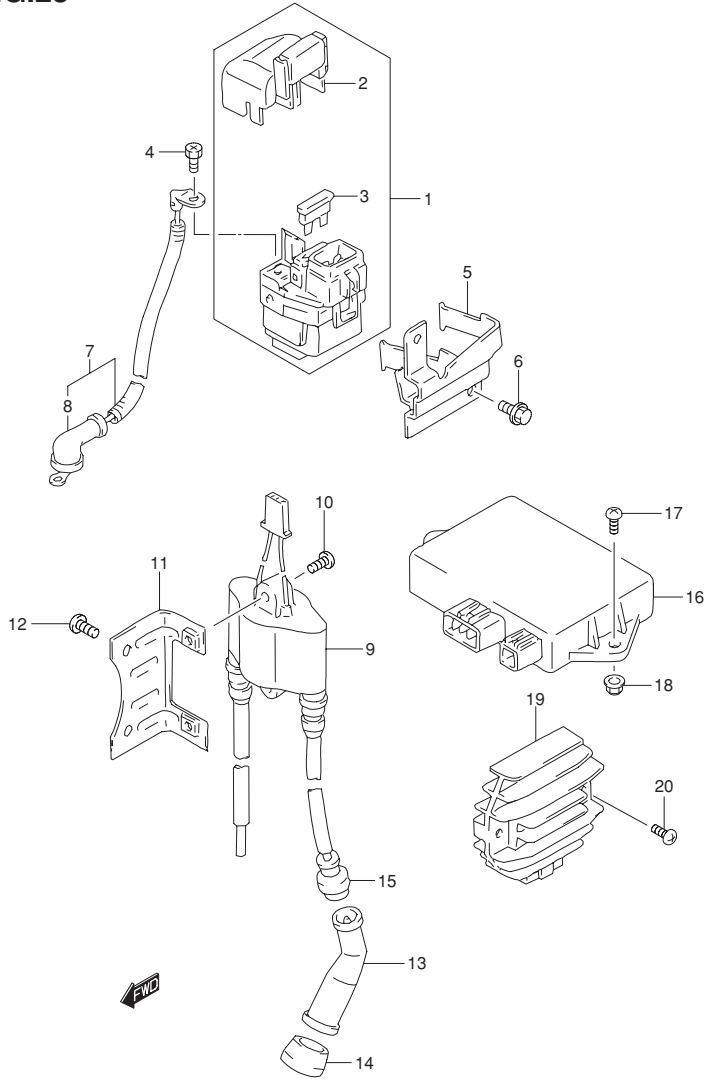


FIG.23 (D-5) ELECTRICAL

REF NO.	PART NO.	DESCRIPTION	Q'TY	REMARKS
1	31800-26E00	RELAY ASSY , STARTING MOTOR	1	
2	31861-26E00	·COVER ASSY	1	
3	09481-30101	·FUSE ( 30A )	2	
4	09128-06013	BOLT ( 6X8 )	2	
5	31890-32E00	BRACKET , STARTING MOTOR RELAY	1	
6	09103-06078	BOLT , STARTING MOTOR	2	
7	33810-32E00	LEAD WIRE , STARTING MOTOR	1	
8	31861-48B10	·CAP , STARTER MOTOR	1	
9	33410-32E00	COIL ASSY , IGNITION	1	
10	02142-06253	SCREW , IGNITION COIL	2	
11	33416-32E00	BRACKET , IGNITION COIL	1	
12	02142-06103	SCREW , BRACKET	2	
13	33510-43010	CAP , SPARK PLUG OUTER	2	
14	33541-47D00	SEAL , PLUG	2	
15	33542-38B00	SEAL , HIGH TENSION CORD	2	
16	32900-32E10	CDI UNIT	1	
17	02162-06203	BOLT	2	
18	08319-31063	NUT , CDI UNIT	2	
19	32800-32E00	RECTIFIER ASSY	1	
20	02162-06203	BOLT	2	

FIG.24

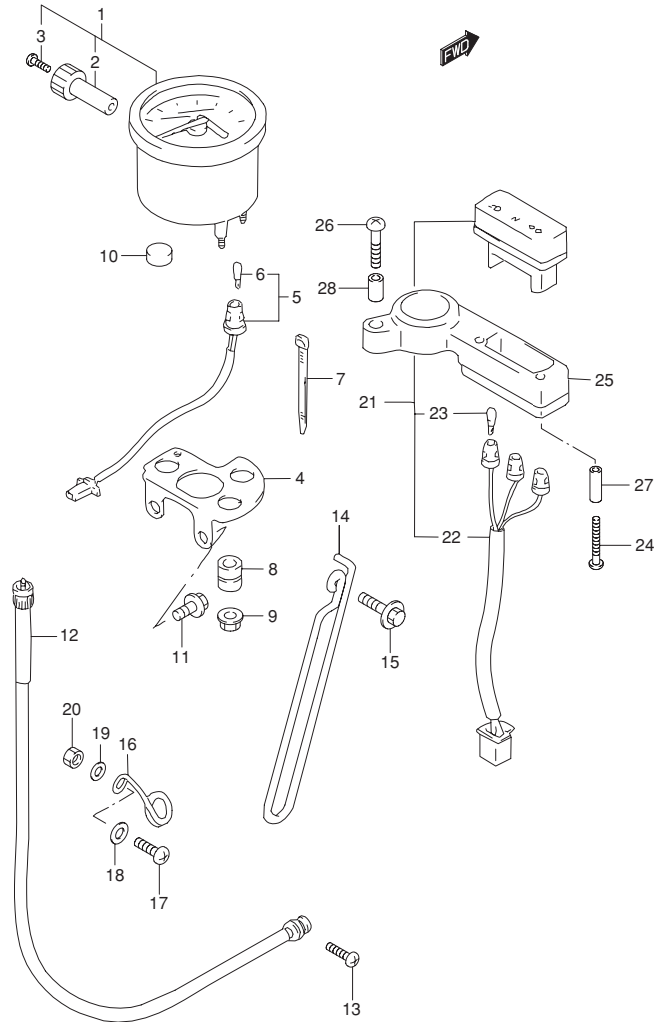


FIG.24 (D-6) SPEEDOMETER

REF NO.	PART NO.	DESCRIPTION	Q'TY	REMARKS
1-1	34120-32E02	SPEEDOMETER( MILE/KILO )	1	
1-2	34120-32E12	SPEEDOMETER( KILO )	1	E28
2	34124-44B30	·KNOB , TRIP	1	
3	34184-12D00	·SCREW , TRIP KNOB	1	
4	34950-32E10	BRACKET , METER	1	
5	34170-15D21	SOCKET	1	
6	09471-12108	·BULB( 14V ,1.7W ,T6.5 )	1	
7	34954-42A90	CLAMP	1	
8	34189-30921	CUSHION	3	
9	09159-06076	NUT	3	
10	34167-42A90	CUSHION	2	
11	01550-06123	BOLT ,SPEEDOMETER	2	
12	34910-32E00	CABLE ,SPEEDOMETER	1	
13	02112-05163	SCREW	1	
14	34938-14D30	GUIDE , CABLE NO.2	1	
15	09116-06167	BOLT( 6X20 )	1	
16	34938-14D21	GUIDE , CABLE NO.1	1	
17	02142-06163	SCREW	1	
18	09160-06109	WASHER( 6.5X16X1.2 )	1	
19	09169-06053	WASHER	1	
20	08310-00063	NUT	1	
21	36380-32E10	BOX ASSY ,PILOT LAMP	1	
22	36394-32E00	·SOCKET ,PILOT BOX	1	
23	09471-12118	·BULB( 13.5V 2W )	3	
24	03511-14353	SCREW ,PILOT BOX	2	
25	36382-32E00	HOLDER ,PILOT BOX	1	
26	09139-06029	SCREW ,PILOT BOX HOLDER	1	
27	09180-04024	SPACER( 4.5X6.5X25 )	2	
28	09180-06251	SPACER( 6.1X8X15.5 )	1	

FIG.25

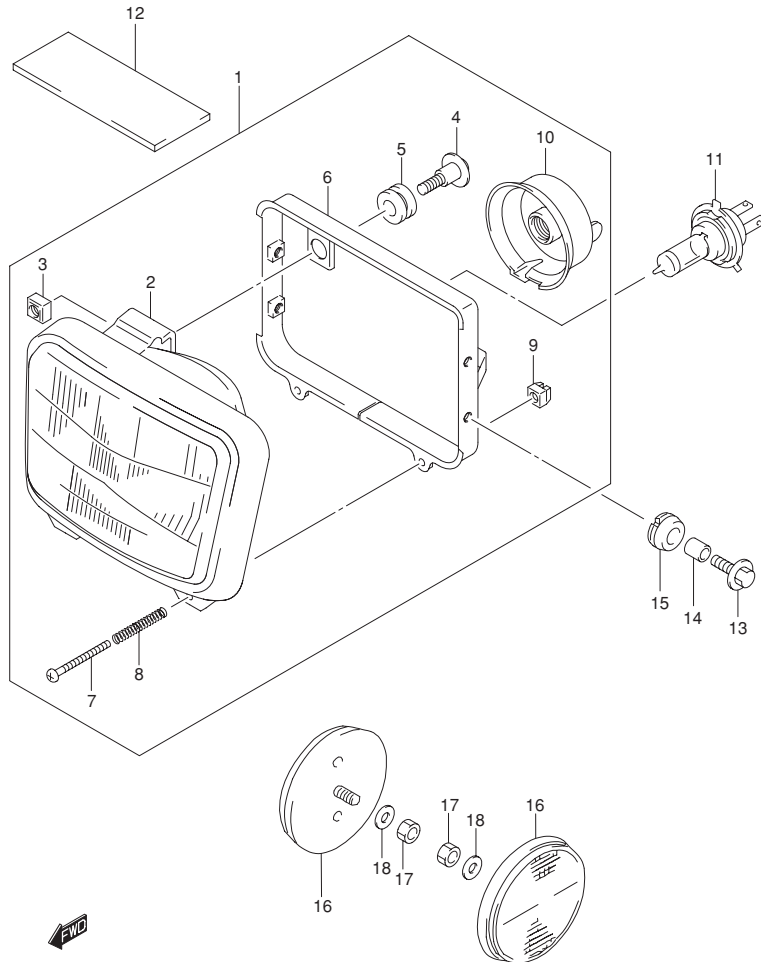


FIG.25 (D-7) HEADLAMP

REF NO.	PART NO.	DESCRIPTION	Q'TY	REMARKS
1	35100-12ED0-999	HEADLAMP ASSY	1	
2	35121-12EA0	·UNIT ASSY	1	
3	35135-45900	·NUT	1	
4	35136-38A00	·SCREW , MOUNTING	1	
5	35139-45230	·CUSHION	1	
6	35141-12ED0	·HOUSING	1	
7	35151-12EA0	·SCREW , ADJUSTING	2	
8	35154-12EA0	·SPRING , ADJUSTING	2	
9	35135-12E20	·NUT , ADJUSTING	2	
10	35173-01440	·COVER , SOCKET	1	
11	09471-12185	BULB( 12V ,60/55W )	1	
12	36920-14D00	CUSHION , HEADLAMP	1	
13	09116-06167	BOLT ( 6X20 )	4	
14	09180-06310	SPACER ( 6.5X10X10 )	4	
15	09320-09018	CUSHION	4	
16	35950-14A10	REFLEX REFLECTOR ASSY , FR SIDE	2	
17	08313-10053	NUT	2	
18	08321-01053	WASHER	2	

FIG.26

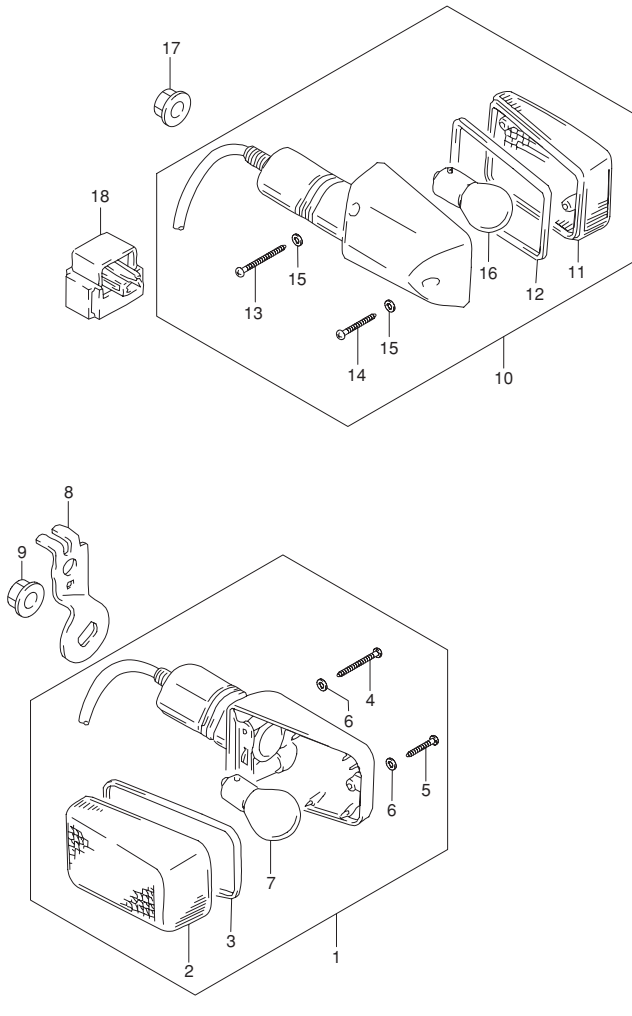


FIG.26 (D-8) TURN SIGNAL LAMP

REF NO.	PART NO.	DESCRIPTION	Q'TY	REMARKS
1	35601-29E30	LAMP ASSY , FRONT TURNSIGNAL	2	
2	35612-17C20	·LENS	2	
3	35613-27A00	·GASKET	2	
4	35623-27A00	·TAPPING SCREW ,3X30	4	
5	35725-40511	·TAPPING SCREW ,3X20	2	
6	35627-27A02	·GASKET	6	
7	09471-12045	·BULB ( 12V ,21W )	2	
8-1	35671-32E00	BRACKET , FRONT RH	1	
8-2	35681-32E00	BRACKET , FRONT LH	1	
9	08316-10103	NUT	2	
10	35603-29E90	LAMP ASSY , REAR TURNSIGNAL	2	
11	35652-17C20	·LENS	2	
12	35613-27A00	·GASKET	2	
13	35623-27A00	·TAPPING SCREW ,3X30	4	
14	35725-40511	·TAPPING SCREW ,3X20	2	
15	35627-27A02	·GASKET	6	
16	09471-12045	·BULB ( 12V ,21W )	2	
17	08316-10103	NUT	2	
18	38610-26E00	RELAY ASSY , TURNSIGNAL	1	

FIG.27

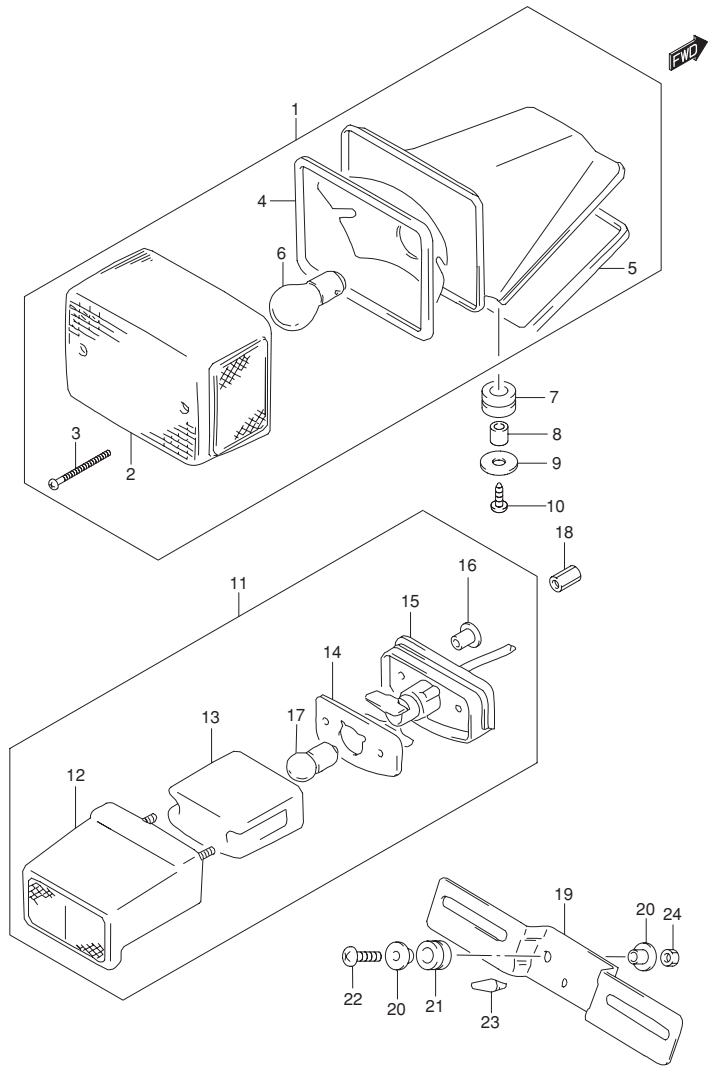


FIG.27 (D-9) TAIL LAMP

REF NO.	PART NO.	DESCRIPTION	Q'TY	REMARKS
1	35710-32E30	LAMP ASSY ,TAIL	1	
2	35712-14D30	·LENS	1	
3	09125-04501	·SCREW (4X45)	2	
4	35713-14D30	·GASKET	1	FOR LENS
5	35717-32E30	·GASKET	1	FOR BASE
6	09471-12083	·BULB (12V 21/5W)	1	
7	09320-09016	CUSHION	3	
8	09180-06248	SPACER (6.1X8X9.5)	3	
9	09160-06088	WASHER (6.5X20X1.6)	3	
10	02142-06253	SCREW	3	
11	35910-32E30	LAMP ASSY ,LICENSE	1	
12	35917-17C00	·COVER ,LENS	1	
13	35912-38A30	·LENS	1	
14	35913-38A30	·GASKET	1	
15	35761-24B31	·CUSHION	1	
16	35766-24B30	·SPACER	2	
17	09471-12140	·BULB (12V 5W)	1	
18	09140-04006	NUT ,LICENSE LAMP	2	
19	35927-26E30	BRACKET ,LICENSE PLATE	1	
20	09169-06073	WASHER	4	
21	09320-09016	CUSHION	2	
22	02142-06253	SCREW ,BRACKET	2	
23	09321-06023	CUSHION	1	
24	08310-00063	NUT	2	

FIG.28

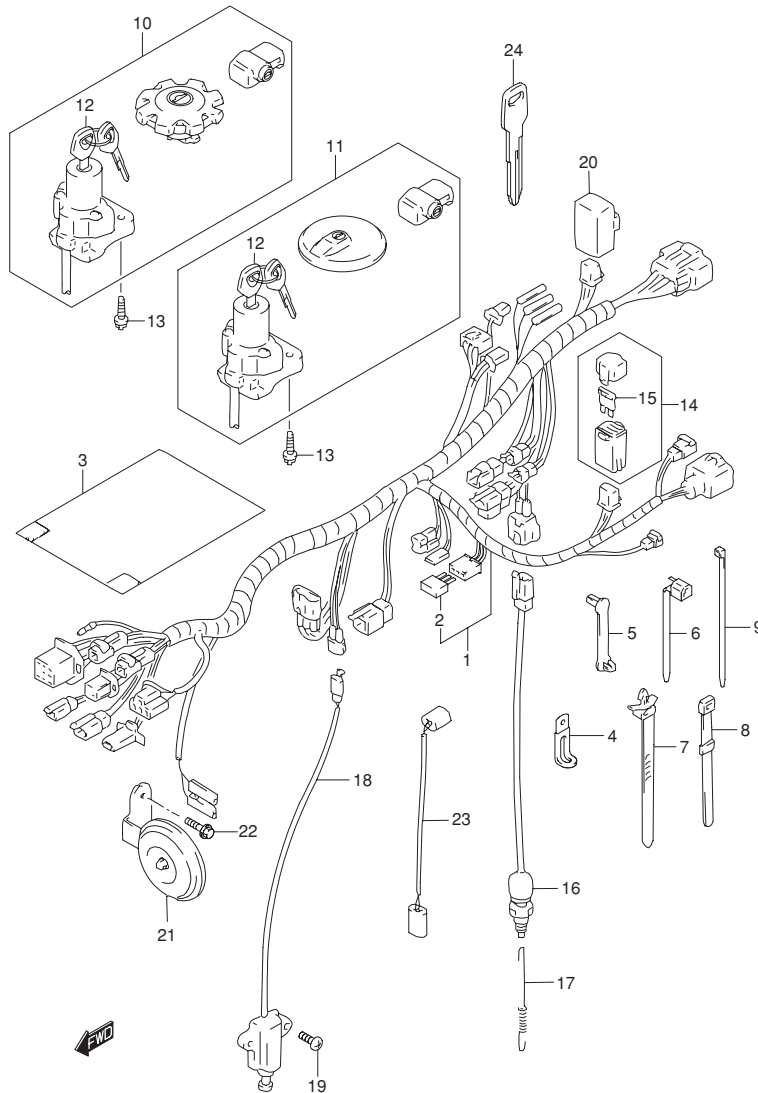
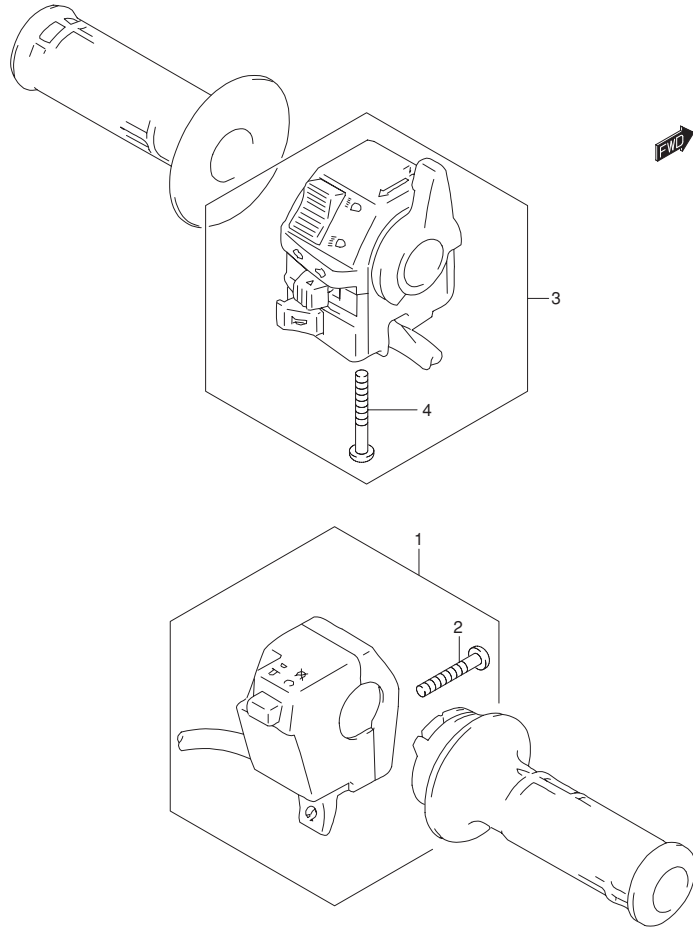


FIG.28 (D-10) WIRING HARNESS

REF NO.	PART NO.	DESCRIPTION	Q'TY	REMARKS
1	36610-32E30	HARNESS , WIRING	1	
2	36611-38A00	·DIODE	1	
3	36618-15D20	COVER , WIRING HARNESS	1	
4-1	09404-06429	CLAMP ( L:45 )	2	
4-2	09404-08207	CLAMP ( L:97 )	1	
5	09407-03401	CLAMP ( L:33 )	5	
6-1	09407-11401	CLAMP ( L:95 )	3	
6-2	09407-14403	CLAMP ( L:125 )	4	
6-3	09407-18402	CLAMP ( L:165 )	5	
6-4	09407-25401	CLAMP ( L:235 )	1	
7	09407-11402	CLAMP ( L:105 )	1	
8	09407-12402	CLAMP ( L:119 )	2	
9	09407-10404	CLAMP ( L:100 )	1	
10	37000-04810	LOCK SET	1	
11	37000-04820	LOCK SET	1	E33
12	37100-04F00	·LOCK ASSY , STEERING	1	
13	09139-08016	SCREW	2	
14	36740-32E00	FUSE ASSY	1	
15	09481-10101	·FUSE ( 10A )	2	
16	37740-32E00	SWITCH ASSY , STOP	1	
17	09443-06016	SPRING	1	
18	37840-44X50	SWITCH ASSY , SIDE STAND	1	
19	02112-06163	SCREW	2	
20	38740-24X50	RELAY ASSY , SIDE STAND	1	
21	38500-32E00	HORN ASSY	1	
22	01550-06123	BOLT	1	
23	36851-32E00	WIRE , THROTTLE SENSOR	1	
24	37146-33E00	KEY , BLANK	1	OPT



**FIG.29**



**FIG.29 (D-11) HANDLE SWITCH**

REF NO.	PART NO.	DESCRIPTION	Q'TY	REMARKS
1	37200-32E30	SWITCH ASSY ,RH	1	
2	09125-05066	·SCREW ( 5X25 )	2	
3	37400-32E10	SWITCH ASSY ,LH	1	
4	02112-05455	·SCREW	2	

FIG.30

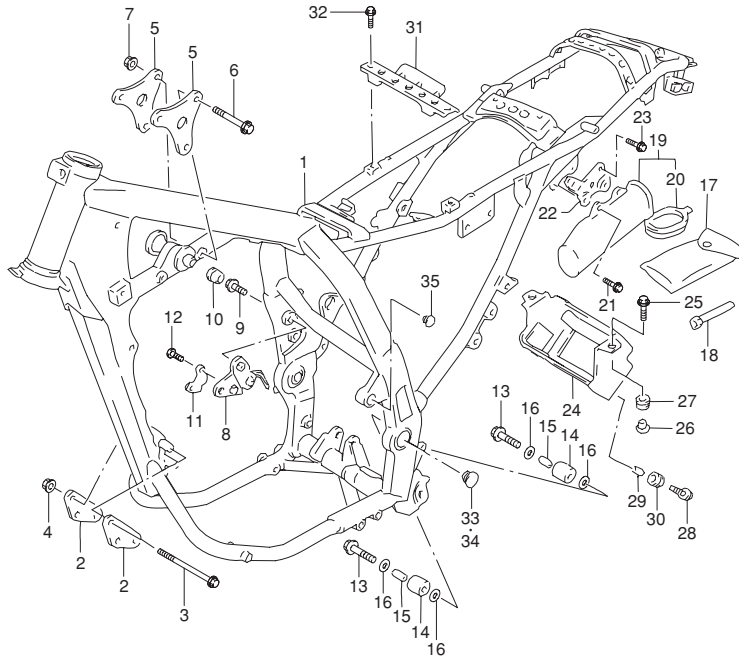


FIG.30 (E-2) FRAME

REF NO.	PART NO.	DESCRIPTION	Q'TY	REMARKS
1-1	41100-32E30-YU8	FRAME( GRAY )	1	
1-2	41100-32E20-YU8	FRAME( GRAY )	1	
2	41911-32E00	PLATE ,FRONT RH	2	
3	09103-08139	BOLT ,FRONT	2	
4	08319-31083	NUT	2	
5	41991-32E00	PLATE ,UPPER	2	
6	09103-08170	BOLT ,UPPER	2	
7	08319-31083	NUT	2	
8	41930-32E00-019	PLATE ,REAR RH( BLACK )	1	
9	01550-08203	BOLT ,REAR	2	
10	09250-20012	CAP	2	
11	43251-32E00	BRACKET ,STOP SWITCH	1	
12	02162-06163	BOLT	1	
13	09103-08178	BOLT	2	
14	43911-13E00	ROLLER ,CHAIN	2	
15	09180-08156	SPACER	2	
16	08211-08201	WASHER	4	
17	09800-21034	TOOL ASSY	1	
18	09816-00100	BOX SPANNER 16	1	
19	41550-32E00	HOLDER ,TOOL	1	
20	41552-37210	-CAP	1	
21	09116-06006	BOLT	2	
22	47440-32E00	BRACKET ,TOOL HOLDER	1	E33
23	01550-06163	BOLT	1	E33

FIG.30

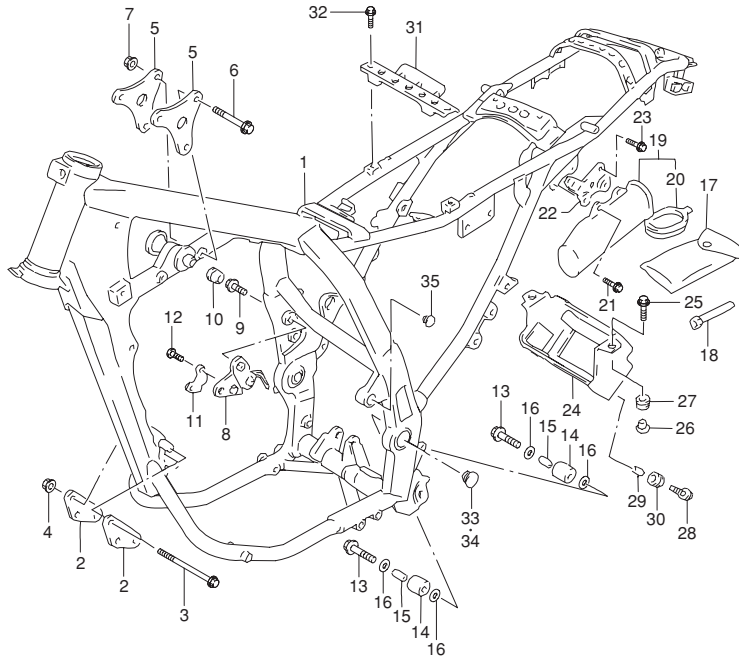
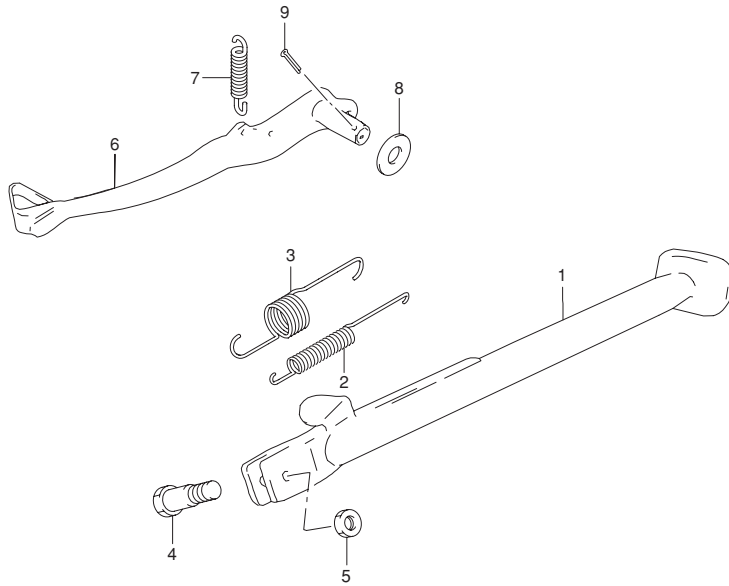


FIG.30 (E-3) FRAME

REF NO.	PART NO.	DESCRIPTION	Q'TY	REMARKS
24	41540-32E00	HOLDER ,BATTERY	1	
25	09116-06167	BOLT ,UPPER	2	
26	09169-06065	SPACER	2	
27	09320-08021	CUSHION	2	
28	09116-06168	BOLT ,SIDE	1	
29	09180-06038	SPACER	1	
30	09320-08021	CUSHION	1	
31	41561-32E00	PLATE ,FITTING	1	
32	01550-06103	BOLT	1	
33	43585-32E00	PLUG ,FRAME PIVOT RH	1	
34	43595-32E00	PLUG ,FRAME PIVOT LH	1	
35	43586-32E00	PLUG ,FRAME BOSS	1	

**FIG.31**



**FIG.31 (E-4) STAND - REAR BRAKE**

REF NO.	PART NO.	DESCRIPTION	Q'TY	REMARKS
1	42310-32E20	STAND ,PROP	1	
2	09443-12045	SPRING ,INNER	1	
3	09443-19010	SPRING ,OUTER	1	
4	09111-10047	BOLT	1	
5	09159-10097	NUT	1	
6	43110-32E00	PEDAL ,BRAKE	1	
7	09443-11030	SPRING ,RETURN	1	
8	09160-15049	WASHER	1	
9	04111-30308	COTTER PIN	1	



FIG.32

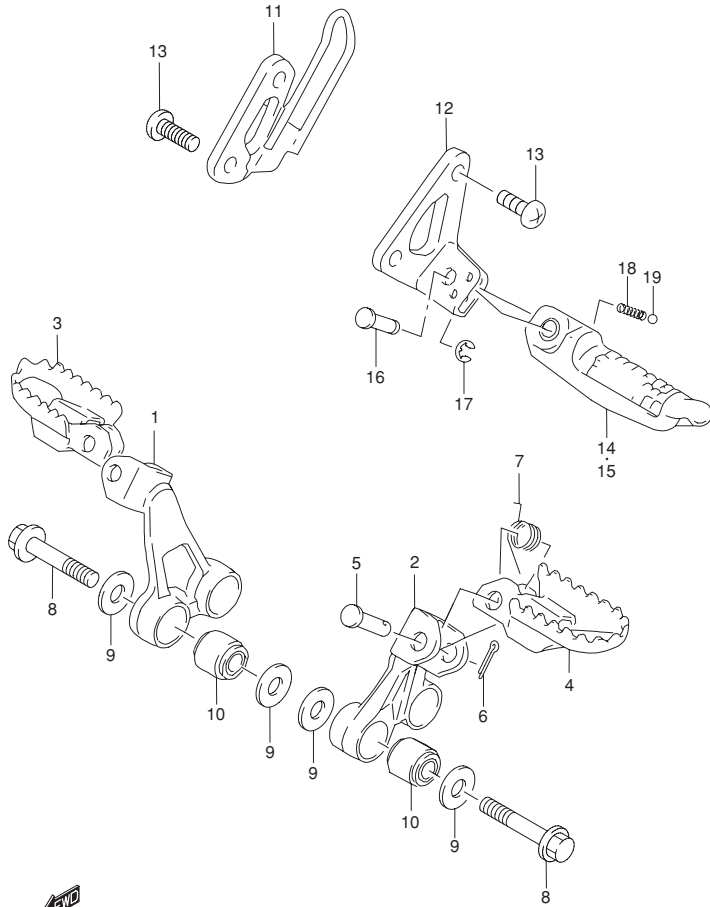
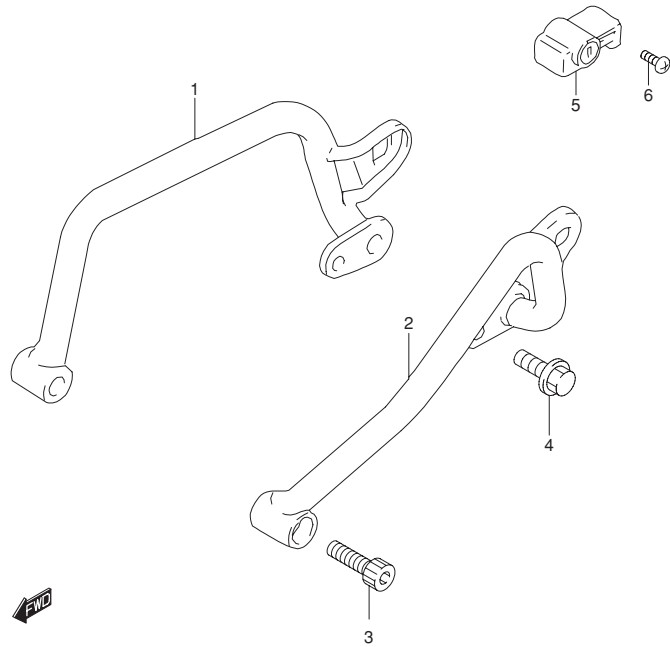


FIG.32 (E-5) FOOTREST

REF NO.	PART NO.	DESCRIPTION	Q'TY	REMARKS
1	43510-32E00	BAR ,FOOTREST RH	1	
2	43520-32E00	BAR ,FOOTREST LH	1	
3	43550-14D30	FOOTREST ,FRONT RH	1	
4	43560-14D30	FOOTREST ,FRONT LH	1	
5	09200-10013	PIN	2	
6	04111-20208	COTTER PIN	2	
7	09448-15004	SPRING	2	
8	09103-10232	BOLT	4	
9	09160-10124	WASHER	4	
10	09319-10033	BUSH	4	
11	43650-32E00-019	BRACKET ,PILLION RH( BLACK )	1	
12	43750-32E00-019	BRACKET ,PILLION LH( BLACK )	1	
13	09106-08161	BOLT ,BRACKET	4	
14	43610-23E00	BAR ,RH	1	
15	43710-23E00	BAR ,LH	1	
16	09208-08011	PIN	2	
17	08332-11063	E RING	2	
18	09440-05005	SPRING	2	
19	06111-07004	BALL	2	

**FIG.33**



**FIG.33 (E-6) REAR GRIP**

REF NO.	PART NO.	DESCRIPTION	Q'TY	REMARKS
1	43970-32E00-YU8	GRIP ,REAR RH( GRAY)	1	
2	43980-32E00-YU8	GRIP ,REAR LH( GRAY)	1	
3	07130-08257	BOLT ,FRONT	2	
4	01550-08163	BOLT ,REAR	2	
5	95700-44810	LOCK SET ,HELMET	1	
6	09139-06089	SCREW	1	

FIG.34

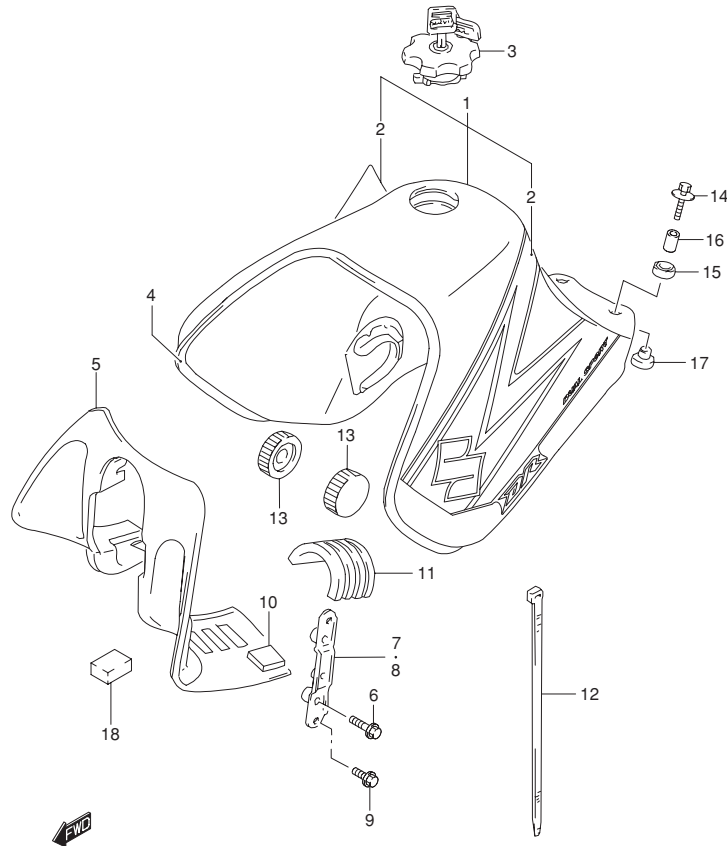


FIG.34 ( F-2 ) FUEL TANK

REF NO.	PART NO.	DESCRIPTION	Q'TY	REMARKS
1-1	44100-32EK0-YC2	TANK ASSY ,FUEL( BLUE )	1	FOR N9J
1-2	44100-32EK0-YU1	TANK ASSY ,FUEL( YELLOW)	1	FOR YU1
1-3	44100-32EL0-YC2	TANK ASSY ,FUEL( BLUE )	1	E33 FOR N9J
1-4	44100-32EL0-YU1	TANK ASSY ,FUEL( YELLOW)	1	E33 FOR YU1
2-1	68110-32E90-CLK	·TAPE SET ,FUEL TANK	1	FOR YC2
2-2	68110-32E90-CET	·TAPE SET ,FUEL TANK	1	FOR YU1
3-1	44200-13830	CAP SET ,FUEL TANK	1	
3-2	44200-05820	CAP SET ,FUEL TANK	1	E33
4	68241-32E00	MOLDING	1	
5	44271-32E00	COVER ,FRONT	1	
6	09116-06098	BOLT ,FRONT COVER	4	
7	44280-32E00	BRACKET ,FRONT COVER RH	1	
8	44290-32E00	BRACKET ,FRONT COVER LH	1	
9	01550-06253	BOLT ,BRACKET	4	
10	51827-01A00	CUSHION	2	
11	44541-13E00	CUSHION ,UPPER REAR	1	
12	09407-25402	CLAMP	1	
13	44511-12D00	CUSHION ,FRONT	2	
14	09116-06172	BOLT ,REAR	2	
15	09320-14022	CUSHION ,UPPER	2	
16	09180-06271	SPACER	2	
17	09320-10020	CUSHION ,LOWER	2	
18	44831-17B00	CUSHION ,TANK COVER	2	

COLOR : N9J=30H ( WHITE ) , YC2 ( BLUE )

FIG.35

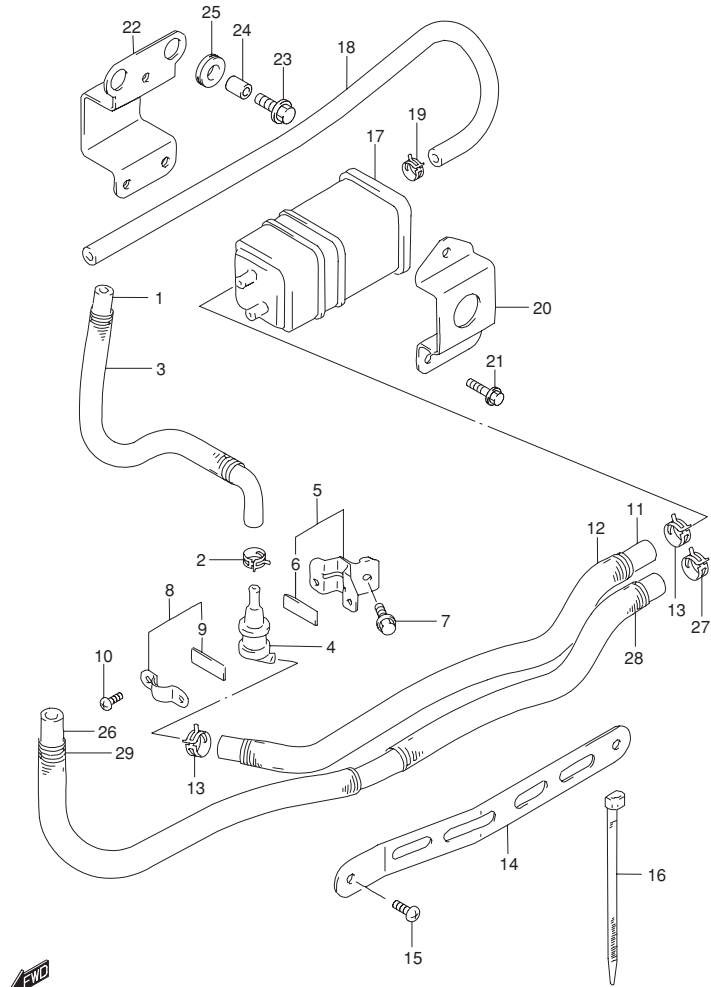


FIG.35 (F-3) CANISTER(E33)

REF NO.	PART NO.	DESCRIPTION	Q'TY	REMARKS
1	44434-29F00	HOSE ,TANK & VALVE	1	
2	09401-11413	CLIP	2	
3	09440-13012	SPRING	1	
4	44240-17C00	VALVE ,BREATHER	1	
5	44890-32E00	BRACKET ,BREATHER VALVE	1	
6	44894-24A00	-CUSHION	1	
7	01550-06123	BOLT ,BRACKET	1	
8	44892-24A00	CLAMP ,VALVE	1	
9	44894-24A00	-CUSHION	1	
10	02112-04083	SCREW ,CLAMP	2	
11	09355-54116-600	HOSE ,VALVE & CANISTER	1	L:600 460
12	09440-13043	SPRING	1	
13	09401-11413	CLIP	1	
14	44945-32E00	PLATE ,CANISTER HOSE	1	
15	02142-06123	SCREW	2	
16	09407-14403	CLAMP	2	
17	17210-14A00	CANISTER	1	
18	09355-70125-600	HOSE ,DRAIN	1	L:600 320
19	09401-11407	CLIP	1	
20	44921-32E00	PLATE ,CANISTER OUTER	1	
21	01550-06123	BOLT	3	
22	44930-32E00	PLATE ,CANISTER INNER	1	
23	09116-06167	BOLT	2	
24	09180-06286	SPACER	2	
25	09320-10015	CUSHION	2	
26	09355-54115-00B	HOSE ,CANISTER & CARB	1	L:2000 620
27	09401-11413	CLIP	2	
28	09440-13043	SPRING ,NO.1	1	
29	09440-13053	SPRING ,NO.2	1	



FIG.36

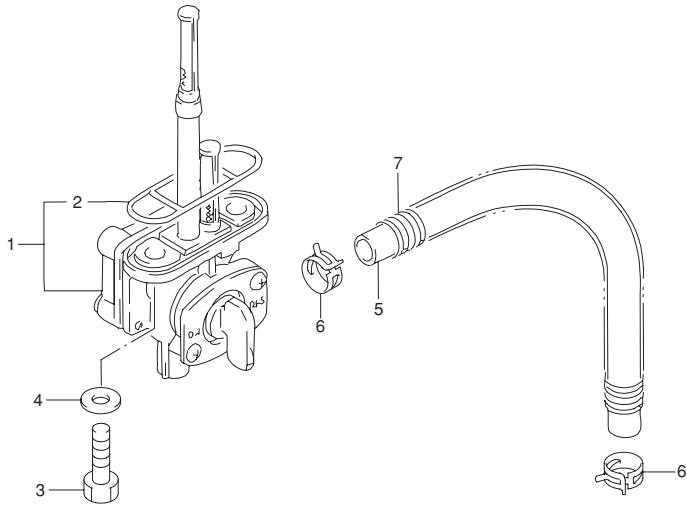


FIG.36 (F-4) FUEL COCK

REF NO.	PART NO.	DESCRIPTION	Q'TY	REMARKS
1	44300-32E00	COCK ASSY ,FUEL	1	
2	44348-87420	-O RING	1	
3	09128-06006	BOLT	2	
4	09168-06026	GASKET	2	
5	09354-70113-600	HOSE ,FUEL( L:600 160 )	1	
6	09401-10409	CLIP	2	
7	09440-13041	SPRING	1	

4



FIG.37

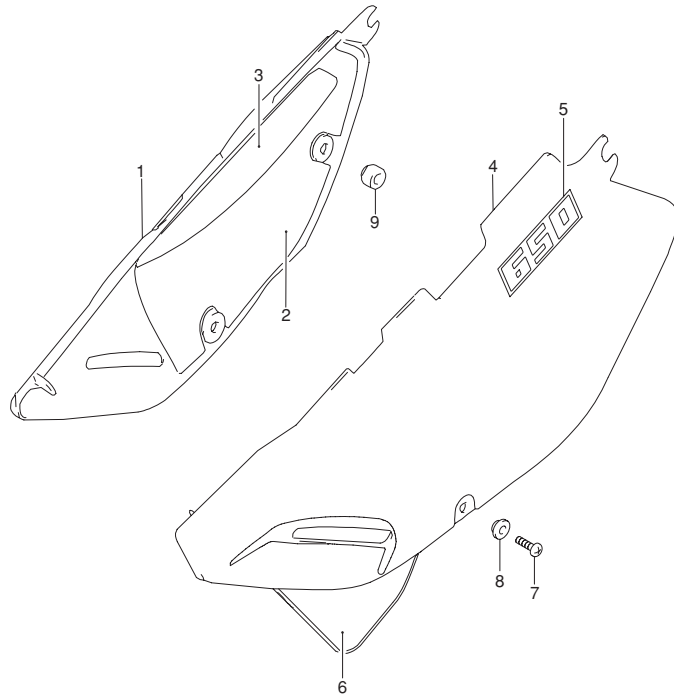


FIG.37 (F-5) FRAME COVER

REF NO.	PART NO.	DESCRIPTION	Q'TY	REMARKS
1	47111-32E00-30H	COVER ,FRAME RH( WHITE )	1	
2	47166-32E00	SHIELD ,COVER LOWER RH	1	
3	47167-32E00	SHIELD ,COVER UPPER RH	1	
4	47211-32E00-30H	COVER ,FRAME LH( BLACK)	1	
5-1	68131-32E20-8YM	EMBLEM	2	FOR N9J
5-2	68131-32E20-CLM	EMBLEM	2	FOR YU1
6	68146-32E00	TAPE ,NO.2 ,LH	1	
7	02142-06167	SCREW	2	
8	09169-06028	WASHER	2	
9	09321-10019	CUSHION ,MUFFLER	2	

FIG.38

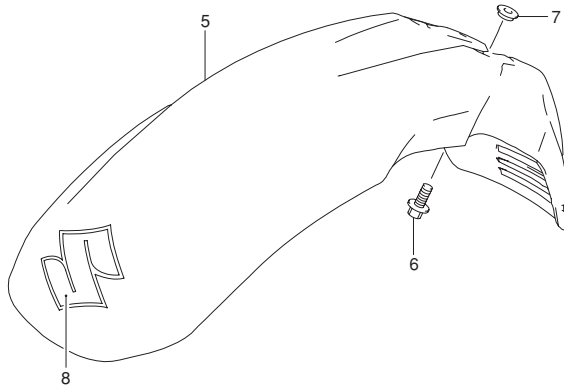
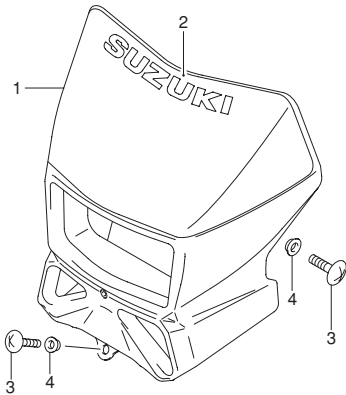


FIG.38 (G-2) HEADLAMP HOUSING

REF NO.	PART NO.	DESCRIPTION	Q'TY	REMARKS
1-1	51811-29F10-YJ4	COVER ,HEAD LAMP ( BLUE )	1	FOR N9J
1-2	51811-29F10-YU1	COVER ,HEAD LAMP( YELLOW )	1	FOR YU1
2-1	68725-29F30-8YM	TAPE	1	FOR YJ4
2-2	68725-29F30-CLM	TAPE	1	FOR YU1
3	02142-06123	SCREW , COVER SIDE	3	
4	09169-06033	WASHER , COVER SIDE	3	
5-1	53111-13E00-YJ4	FENDER ,FRONT ( BLUE )	1	FOR N9J
5-2	53111-13E00-YU1	FENDER ,FRONT( YELLOW )	1	FOR YU1
6	09116-06170	BOLT	4	
7	09169-06073	WASHER	4	
8	68151-07G10-YCF	EMBLEM , "S"	1	

COLOR : N9J = 30H ( WHITE ) , YC2 ( BLUE )

FIG.39

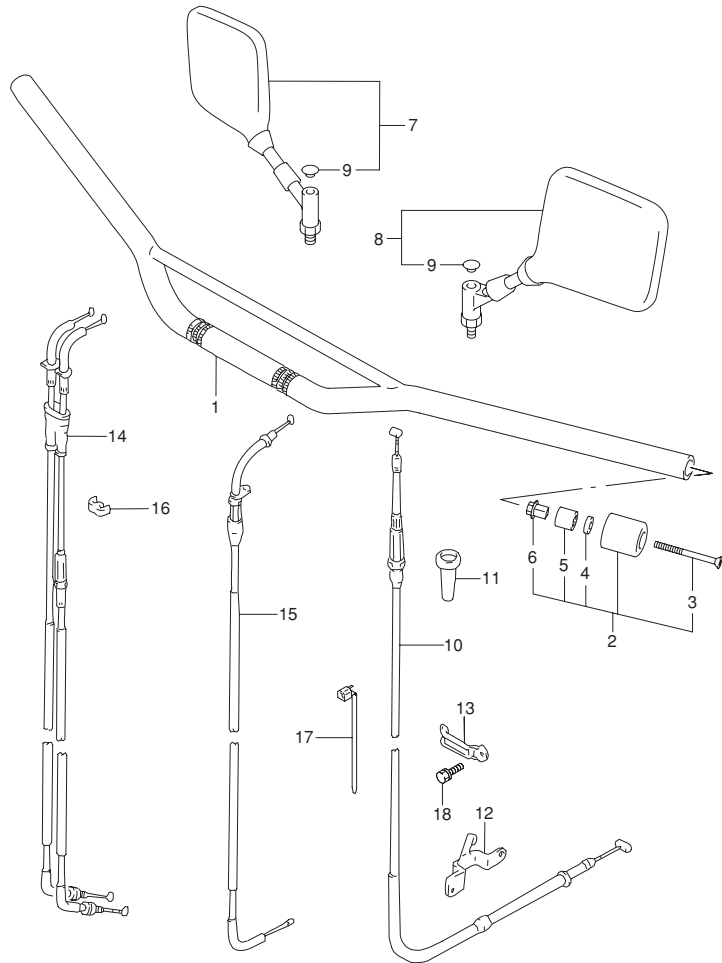


FIG.39 (G-3) HANDLEBAR

REF NO.	PART NO.	DESCRIPTION	Q'TY	REMARKS
1	56110-32E00-291	HANDLEBAR( BLACK )	1	
2	56200-16820	BALANCER SET	2	
3	02122-06603	·SCREW	2	
4	09160-06131	·WASHER	2	
5	56272-10G00	·EXPANDER	2	
6	56273-10G00	·NUT	2	
7	56500-06G10	MIRROR ASSY , REAR VIEW RH	1	
8	56600-06G10	MIRROR ASSY , REAR VIEW LH	1	
9	56524-28600	·CAP	2	
10	58200-32E01	CABLE ASSY , CLUTCH	1	
11	58273-31000	BOOT , CLUTCH CABLE	1	
12	58634-32E00	STOPPER , CABLE	1	
13	09403-09307	CLAMP	1	
14	58300-32E00	CABLE ASSY , THROTTLE	1	
15	58410-32E00	CABLE ASSY , STARTER	1	
16	09408-00066	CLIP	1	
17	09407-25401	CLAMP	2	
18	01550-06123	BOLT , CLAMP	1	

FIG.40

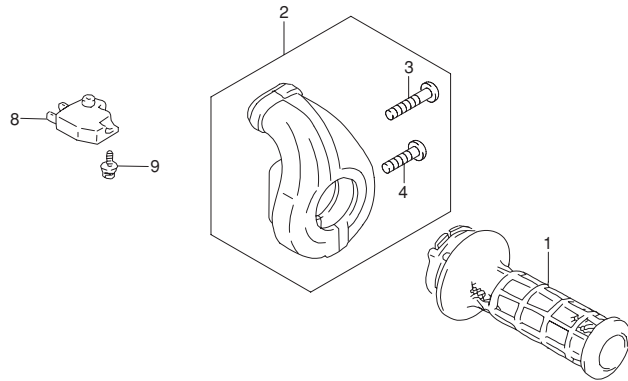
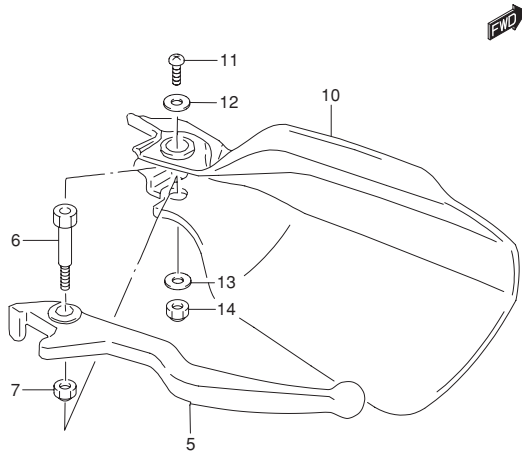


FIG.40 (G-4) RIGHT HANDLE LEVER

REF NO.	PART NO.	DESCRIPTION	Q'TY	REMARKS
1	57110-12D11	GRIP ,THROTTLE	1	
2	57100-14D00	CASE ASSY , THROTTLE	1	
3	09125-05066	·SCREW , UPPER	1	
4	02112-05203	·SCREW	1	
5	57421-13001	LEVER	1	
6	57431-05D00	BOLT	1	
7	57433-09F00	NUT	1	
8	57460-17C11	SWITCH ASSY , STOP	1	
9	57465-17C00	·SCREW	1	
10-1	57341-05D00-YU1	COVER , KNUCKLE RH( YELLOW)	1	FOR YU1
10-2	57341-05D00-YJ4	COVER , KNUCKLE RH( BLUE)	1	FOR N9J
11	02142-05103	SCREW	1	
12	09160-05043	WASHER	1	
13	09160-06130	WASHER	1	
14	08319-21068	NUT	1	

COLOR : N9J = 30H ( WHITE ) , YC2 ( BLUE )

4

FIG.41

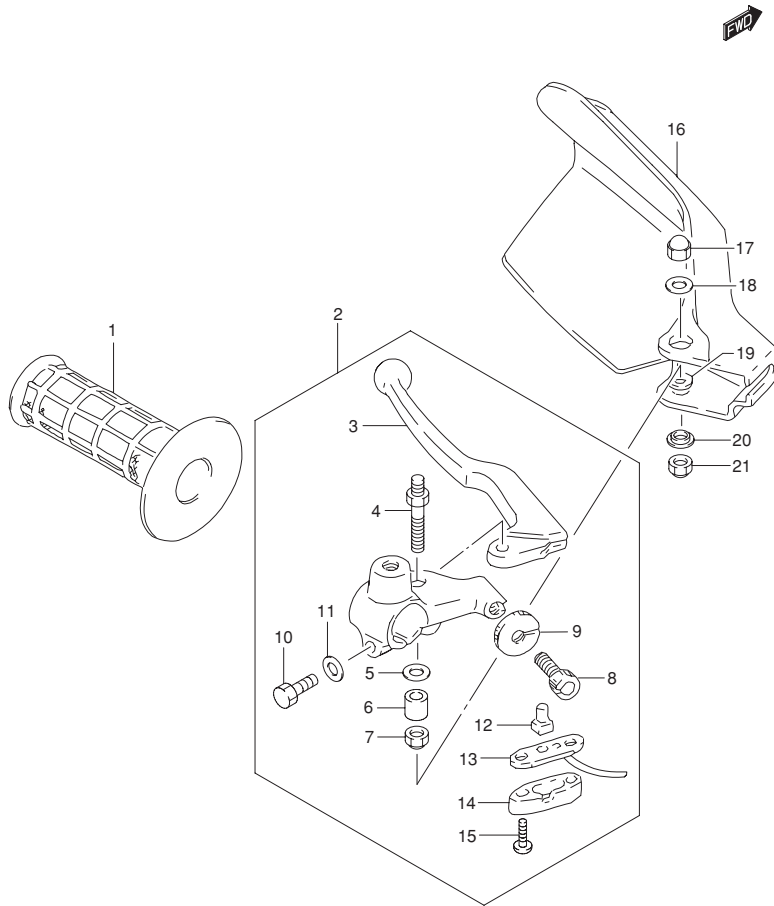


FIG.41 (G-5) LEFT HANDLE LEVER

REF NO.	PART NO.	DESCRIPTION	Q'TY	REMARKS
1	57211-12D00	GRIP , LH	1	
2	57500-12E20	LEVER ASSY , CLUTCH	1	
3	57620-20A02	·LEVER , CLUTCH	1	
4	57531-44B01	·BOLT	1	
5	08322-01063	·WASHER	1	
6	57532-44B00	·SPACER	1	
7	08319-21063	·NUT	1	
8	57441-44400	·ADJUSTER , CABLE	1	
9	57442-44400	·NUT	1	
10	01204-06204	·BOLT	1	
11	08322-01063	·WASHER	1	
12	57465-18601	·CONTACT	1	
13	57541-49100	·WIRE HARNESS	1	
14	57481-33010	·COVER	1	
15	57464-37110	·SCREW	1	
16-1	57541-31D00-YU1	COVER , KNUCKLE LH( YELLOW)	1	FOR YU1
16-2	57541-31D00-YJ4	COVER , KNUCKLE LH( BLUE )	1	FOR N9J
17	08313-10063	NUT	1	
18	09160-06088	WASHER	1	
19	09160-06019	WASHER	1	
20	09169-06055	WASHER	1	
21	08319-21068	NUT	1	

COLOR : N9J = 30H ( WHITE ) , YC2 ( BLUE )

FIG.42

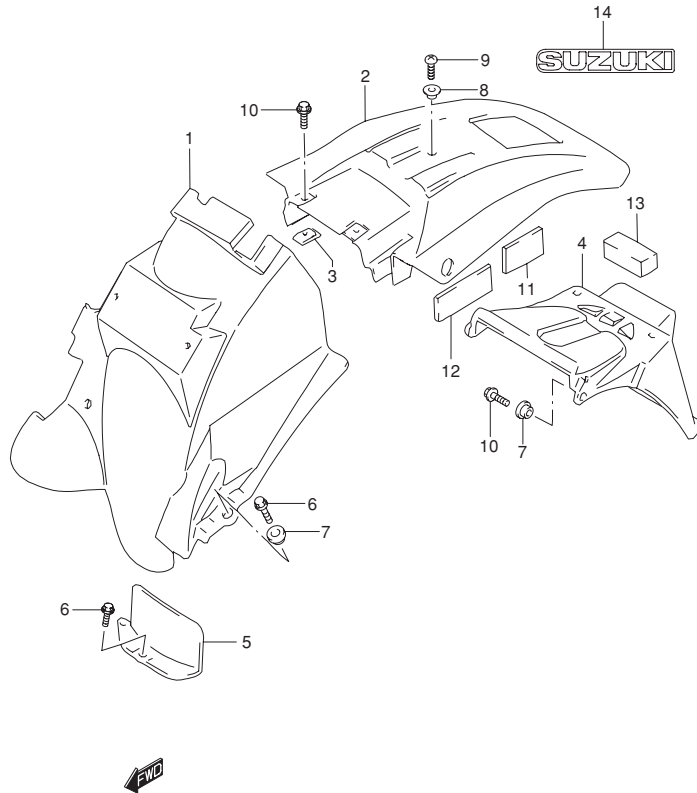


FIG.42 (G-6) REAR FENDER

REF NO.	PART NO.	DESCRIPTION	Q'TY	REMARKS
1	63112-32E00	BODY ,REAR FENDER FRONT	1	
2-1	63113-32E10-YJ4	BODY ,REAR FENDER REAR( BLUE)	1	FOR N9J
2-2	63113-32E10-YU1	BODY ,REAR FENDER REAR (YELLOW)	1	FOR YU1
3	47153-19C01	NUT ,FENDER REAR	2	
4	63311-32E00	EXTENSION ,REAR FENDER	1	
5	63411-32E00	MUD GUARD ,REAR FENDER	1	
6	09113-06001	BOLT ,REAR FENDER	4	
7	09169-06073	WASHER	4	
8	09169-06053	WASHER ,REAR	1	
9	09139-06067	SCREW ,REAR	1	
10	01550-06163	BOLT ,REAR FENDER	6	
11	63191-25C00	CUSHION ,SIDE	2	
12	63118-32E00	CUSHION ,REAR FENDER	2	
13	63119-32E00	CUSHION ,EXTENSION	1	
14-1	68177-04A00-HU8	EMBLEM	1	FOR N9J
14-2	68177-04A00-CFL	EMBLEM	1	FOR YU1

COLOR : N9J = 30H (WHITE) , YC2 (BLUE)

FIG.43

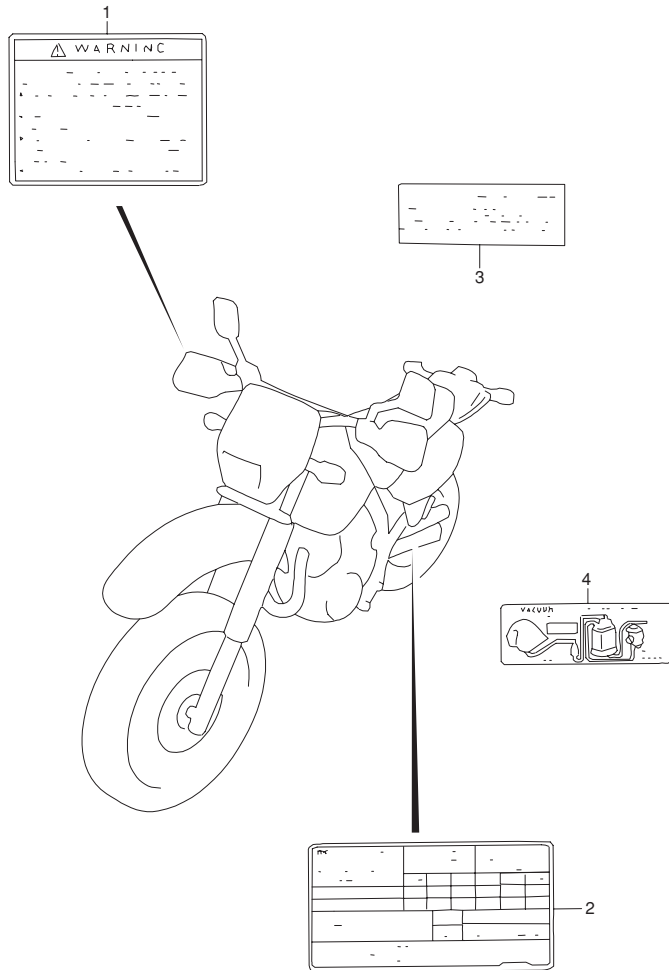


FIG.43 (G-7) LABEL

REF NO.	PART NO.	DESCRIPTION	Q'TY	REMARKS
1-1	68319-29F00	LABEL ,WARNING ( ENGLISH )	1	E3 E33
1-2	68319-29F10	LABEL ,WARNING	1	E28
2-1	68332-14A81	LABEL ,TIRE( ENGLISH )	1	E3 E33
2-2	68332-14A91	LABEL ,TIRE	1	E28
3	68353-26E02	LABEL ,MANUAL NOTICE	1	E3 E33
4	68387-32E00	LABEL ,PIPING	1	E33
5-1	99011-32E60-03A	MANUAL ,OWNER'S	1	E3 E33
5-2	99011-32E60-01A	MANUAL ,OWNER'S( ENGLISH )	1	E28
5-3	99011-32E60-01F	MANUAL ,OWNER'S( FRENCH )	1	E28 DRAWING NOT SHOWN



FIG.44

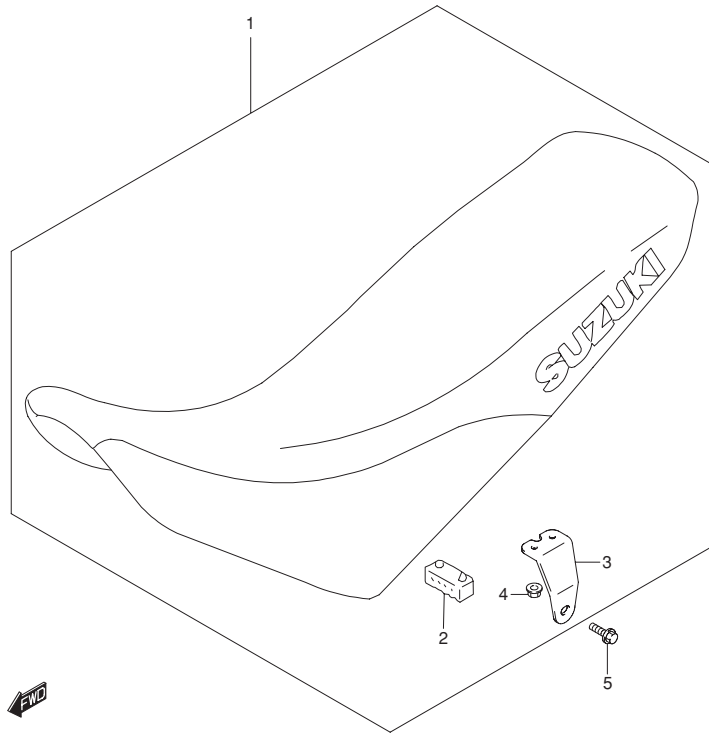


FIG.44 (H-2) SEAT

REF NO.	PART NO.	DESCRIPTION	Q'TY	REMARKS
1-1	45100-32E40-BDL	SEAT SET	1	FOR N9J
1-2	45100-32E40-CEP	SEAT SET	1	FOR YU1
2	45149-31300	·CUSHION	6	
3	45117-32E10	·BRACKET	2	
4	08316-10063	·NUT	4	
5	01550-08123	BOLT	2	

COLOR : BDL = BLACK/BLUE/WHITE  
 COLOR : CEP = BLUE/YELLOW/BLUE

4

FIG.45

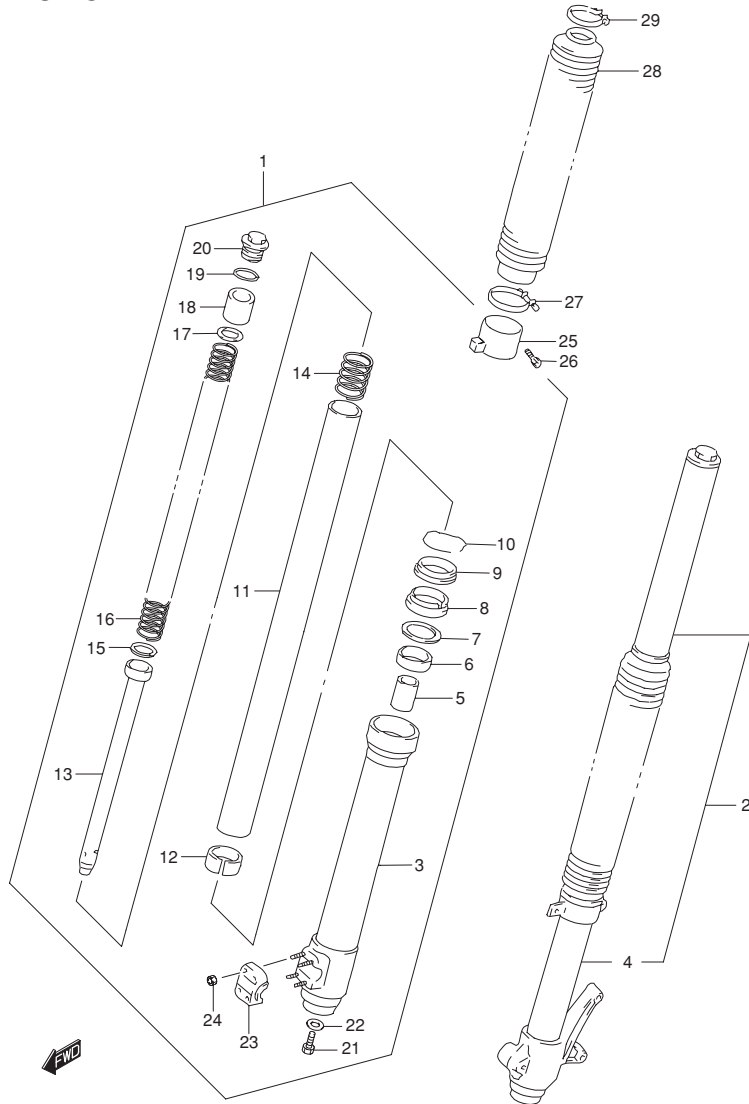


FIG.45 (H-3) FRONT DAMPER

REF NO.	PART NO.	DESCRIPTION	Q'TY	REMARKS
1	51103-32E00	DAMPER ASSY ,FRONT FORK RH	1	
2	51104-32E00	DAMPER ASSY ,FRONT FORK LH	1	
3	51130-32E00	·TUBE , OUTER RH	1	
4	51140-32E00	·TUBE , OUTER LH	1	
5	51195-06C00	·PIECE , OIL LOCK	2	
6	51167-40C00	·METAL , SLIDE	2	
7	51158-14200	·WASHER	2	
8	51153-14330	·SEAL , OIL	2	
9	51173-14330	·SEAL , DUST	2	
10	51156-14200	·RING , SNAP	2	
11	51110-32E00	·TUBE , INNER	2	
12	51121-40C00	·PISTON	2	
13	51190-32E00	·CYLINDER	2	
14	51177-14330	·SPRING	2	
15	51196-31D00	·RING	2	
16	51171-32E00	·SPRING	2	
17	51172-32E00	·WASHER	2	
18	51176-32E00	·SPACER	2	
19	51117-14200	·O RING	2	
20	51351-31D00	·CAP	2	
21	51147-16510	·BOLT	2	
22	51148-41310	·GASKET	2	
23	51132-32E00	·HOLDER , AXLE RH	1	
24	08316-10067	·NUT	4	
25	51203-32E00	GUIDE , BOOT	2	
26	07130-05207	BOLT	2	
27	51576-00B00	BAND , BOOT LOWER	2	
28	51571-32E00-019	BOOT (BLACK )	2	
29	51575-32E00	BAND , BOOT UPPER	2	

FIG.46

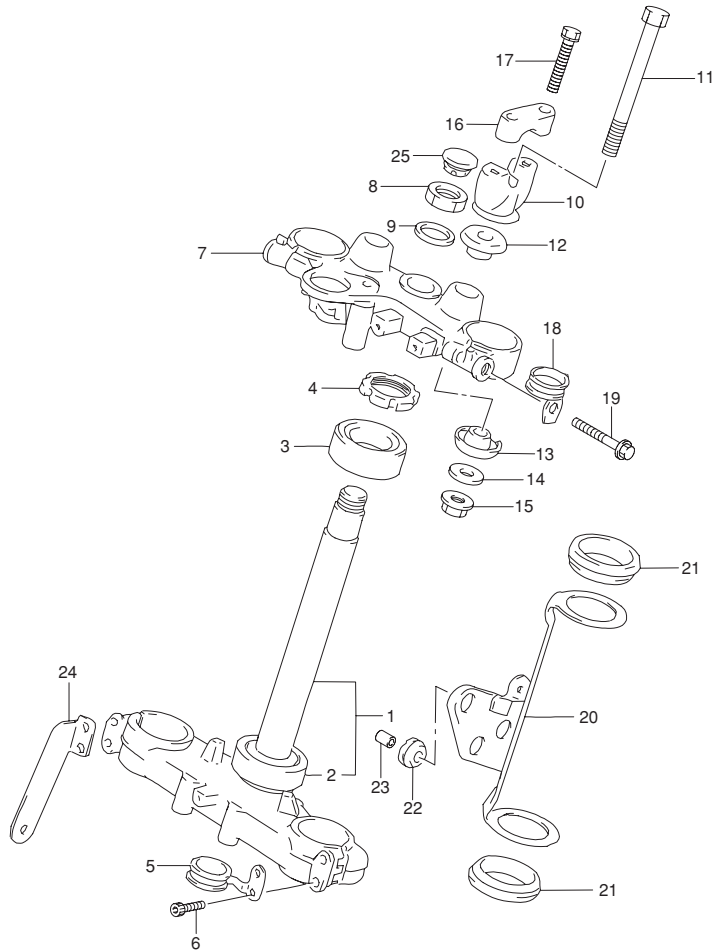


FIG.46 (H-4) STEERING STEM

REF NO.	PART NO.	DESCRIPTION	Q'TY	REMARKS
1	51410-32E00	STEM , STEERING	1	
2	09265-30014	BEARING ( 30X52X16 )	1	
3	09265-30014	BEARING , UPPER ( 30X52X16 )	1	
4	51631-28E00	NUT , STEERING STEM	1	
5	51453-32E10	CLAMP , LOWER	1	
6	07130-08407	BOLT , LOWER	4	
7	51311-32E00	HEAD , STEERING STEM	1	
8	51353-32E00	NUT	1	
9	51356-27C00	WASHER	1	
10	56221-14330-291	HOLDER , HANDLE LOWER	2	
11	56321-28C00	BOLT	2	
12	56241-14A00	RUBBER , UPPER	2	
13	56242-14200	RUBBER , LOWER	2	
14	09160-10035	WASHER	2	
15	08319-31107	NUT	2	
16	56211-29320-291	HOLDER , HANDLE UPPER	2	
17	01570-08353	BOLT	4	
18	51288-32E00	CLAMP , UPPER	1	
19	01550-10403	BOLT , UPPER	2	
20-1	51530-32E00	COVER , FORK RH	1	
20-2	51540-32E00	COVER , FORK LH	1	
21	51553-15D00	RUBBER , DAMPER	4	
22	09320-09018	CUSHION	2	
23	09180-06310	SPACER	2	
24-1	35956-44B01	BRACKET , SIDE RH	1	
24-2	35957-44B01	BRACKET , SIDE LH	1	
25	09250-12006	CAP	1	

FIG.47

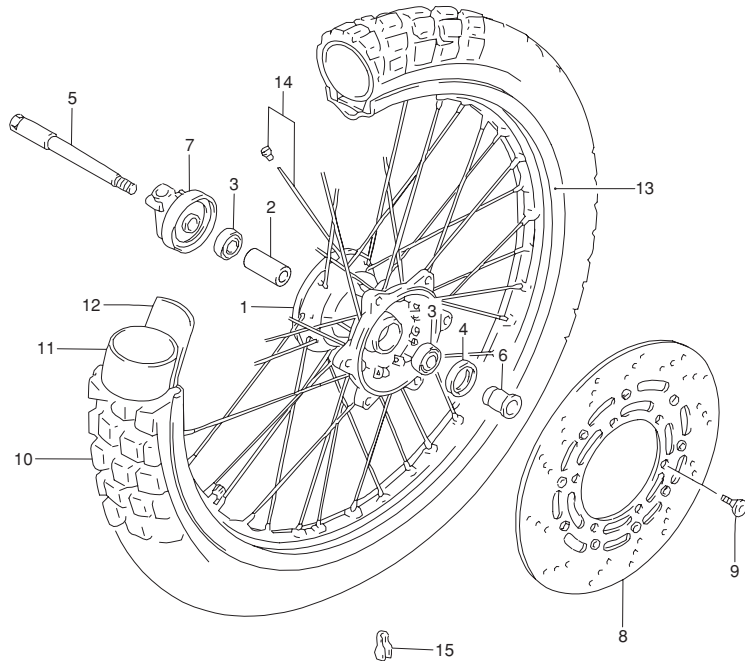


FIG.47 (H-5) FRONT WHEEL

REF NO.	PART NO.	DESCRIPTION	Q'TY	REMARKS
1	54111-31D01	HUB ,FRONT WHEEL	1	
2	54731-32E00	SPACER ,FRONT HUB	1	
3	08123-60037	BEARING	2	
4	09284-23001	SEAL ,HUB LH( 23X35X6 )	1	
5	54711-05D01	AXLE ,FRONT	1	
6	54751-05D00	SPACER ,AXLE ,LH	1	
7	54600-05D00	BOX ASSY , SPEEDOMETER GEAR	1	
8	59220-32E00	DISC ,FRONT BRAKE	1	
9	09106-08155	BOLT ( 8X20 )	6	
10	55110-32E00	TIRE ,FRONT ( 90/90 - 21 54S ) ( BRIDGESTONE )	1	
11	55200-32E00	TUBE ASSY , WHEEL INNER	1	
12	55261-32E00	PROTECTOR ,INNER TUBE	1	
13	55311-44B00	RIM ,FRONT WHEEL ( 1.85X21 )	1	
14	55320-31D00	SPOKE SET ,FRONT WHEEL	1	
15-1	55412-38A00	BALANCER ,WHEEL ( 20G )	0-2	
15-2	55413-38A00	BALANCER ,WHEEL ( 30G )	0-2	

FIG.48

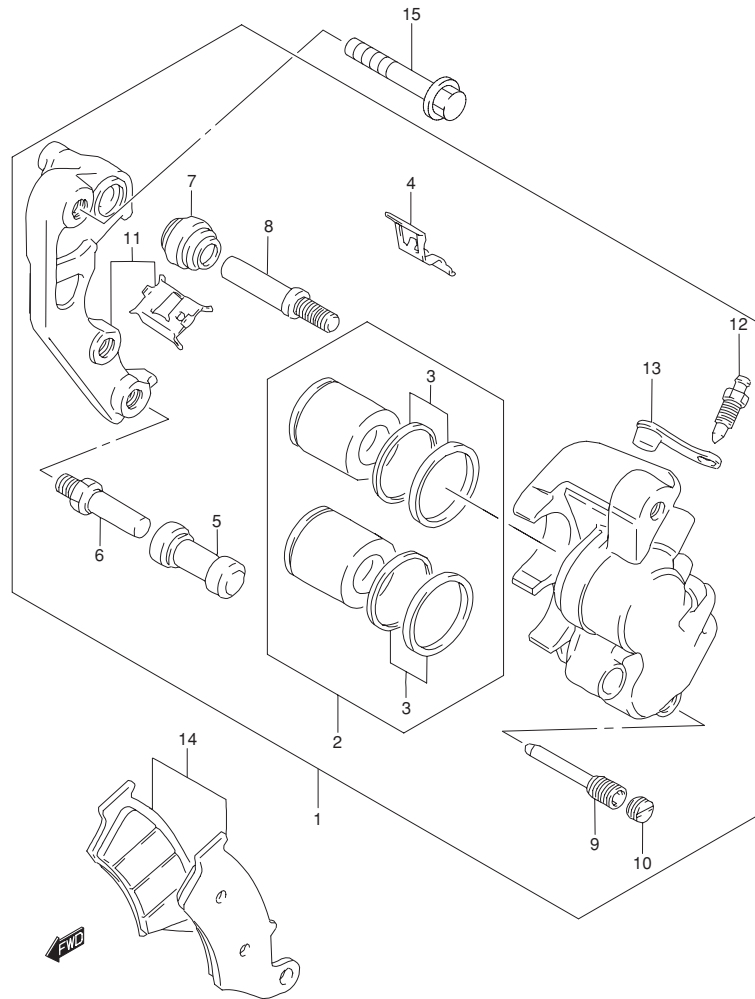


FIG.48 (H-6) FRONT CALIPER

REF NO.	PART NO.	DESCRIPTION	Q'TY	REMARKS
1	59300-13E00-999	CALIPER ASSY ,FRONT LH	1	
2	59300-27840	·PISTON SET	1	
3	59300-13820	·SEAL SET ,PISTON	1	
4	59315-13E00	·SPRING	1	
5	59386-13A00	·BOOT	1	
6	59382-27C30	·PIN	1	
7	59303-14500	·BOOT	1	
8	59305-27C00	·PIN	1	
9	59345-13E00	·PIN	1	
10	59146-21E10	·PLUG	1	
11	59350-13E00	·BRACKET	1	
12	59121-01A00	·BLEEDER	1	
13	59122-01A00	·CAP	1	
14	59300-13830	PAD SET	1	
15	09103-08338	BOLT( 8X41)	2	

FIG.49

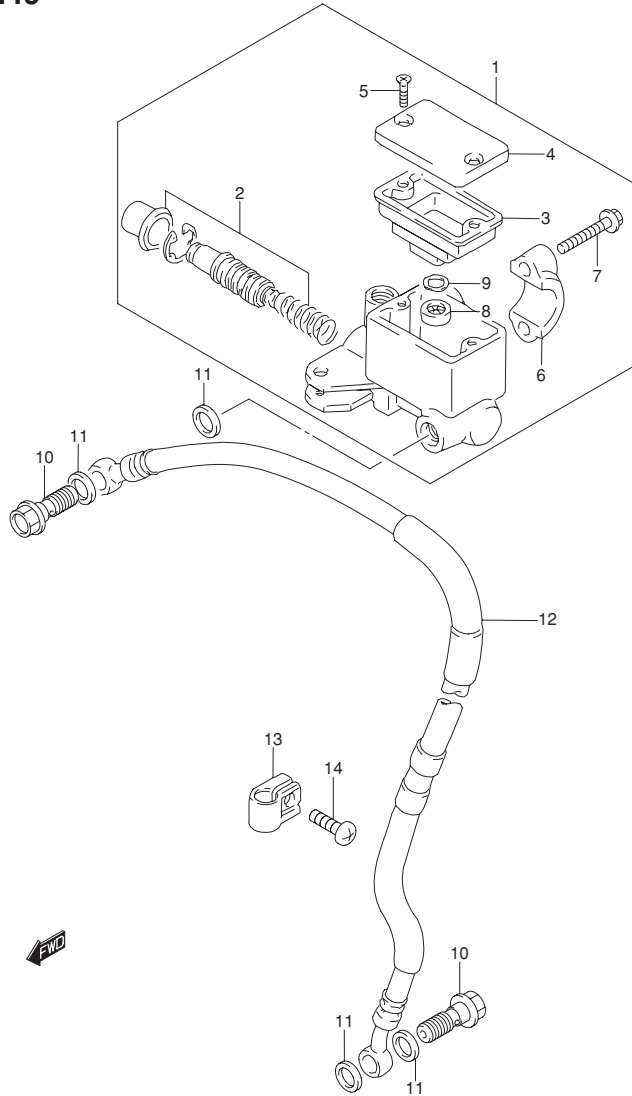


FIG.49 (H-7) FRONT MASTER CYLINDER

REF NO.	PART NO.	DESCRIPTION	Q'TY	REMARKS
1	59600-31D00	CYLINDER ASSY ,FRONT MASTER	1	
2	59600-04810	·PISTON/CUP SET	1	
3	59667-44B00	·DIAPHRAGM	1	
4	69669-24A01	·CAP	1	
5	69689-49300	·SCREW	2	
6	59671-36500	·HOLDER	1	
7	59675-19C00	·BOLT	2	
8	59748-15400	·SEPARATOR	1	
9	59749-15400	·PLATE	1	
10	09360-10042	BOLT( 10X1.25X22 )	2	
11	09161-10009	WASHER	4	
12	59480-32E00	HOSE , FRONT BRAKE	1	
13	58621-07A10	CLAMP , BRAKE HOSE	1	
14	02142-06203	SCREW	1	

FIG.50

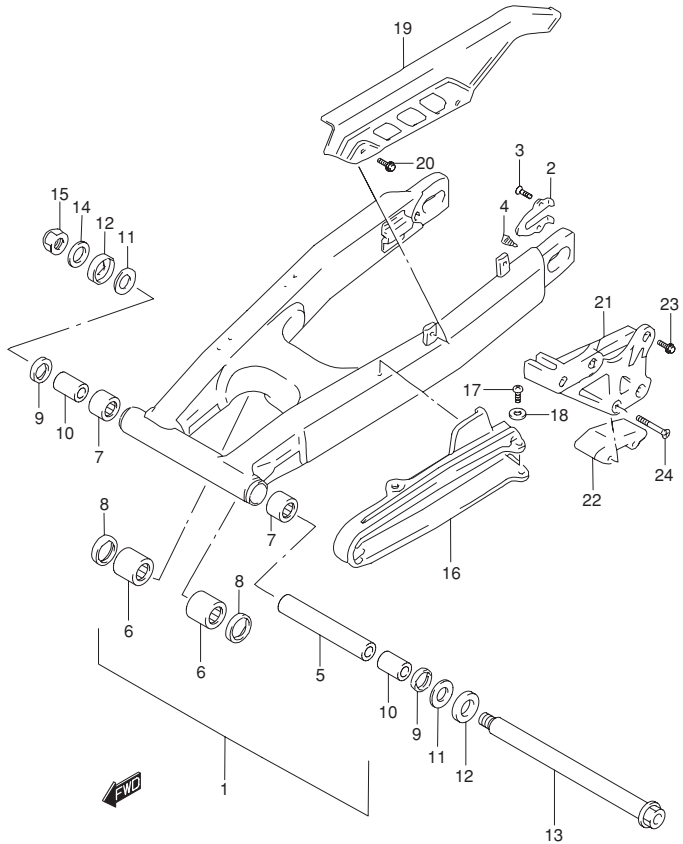


FIG.50 (H-8) REAR SWINGING ARM

REF NO.	PART NO.	DESCRIPTION	Q'TY	REMARKS
1	61000-32E00	SWINGING ARM ASSY ,REAR	1	
2	61128-29E00	·PLATE	1	
3	09126-05009	·SCREW ( 5X8 )	2	
4	61431-13E00	·BOLT ,STOPPER ( 10X17 )	2	
5	61282-32E00	·SPACER ,PIVOT	1	
6	09263-20071	·BEARING ,ROD( 20X27X23.5 )	2	
7	09263-22017	·BEARING ,PIVOT( 22X29X30 )	2	
8	09283-20031	SEAL , ROD OIL( 20X27X5 )	2	
9	09285-22001	SEAL , PIVOT OIL( 22X29X4 )	2	
10	61251-14D00	SPACER ,PIVOT BEARING	2	
11	08211-17341	WASHER	2	
12	61262-28C10	COVER ,PIVOT DUST	2	
13	64711-08D00	SHAFT ,PIVOT	1	
14	08322-01163	WASHER	1	
15	09159-16007	NUT	1	
16	61273-13E01	BUFFER ,CHAIN TOUCH DEFENSE	1	
17	02142-06123	SCREW	3	
18	09169-06057	WASHER	3	
19	61311-01A03	CASE ,CHAIN	1	
20	09116-06096	BOLT ( 6X10 )	2	
21	61340-15E00	GUIDE ,CHAIN	1	
22	61348-15E00	DEFENSE ,CHAIN GUIDE	1	
23	01550-0616A	BOLT ,UPPER	3	
24	02122-06503	SCREW ,LOWER	2	

FIG.51

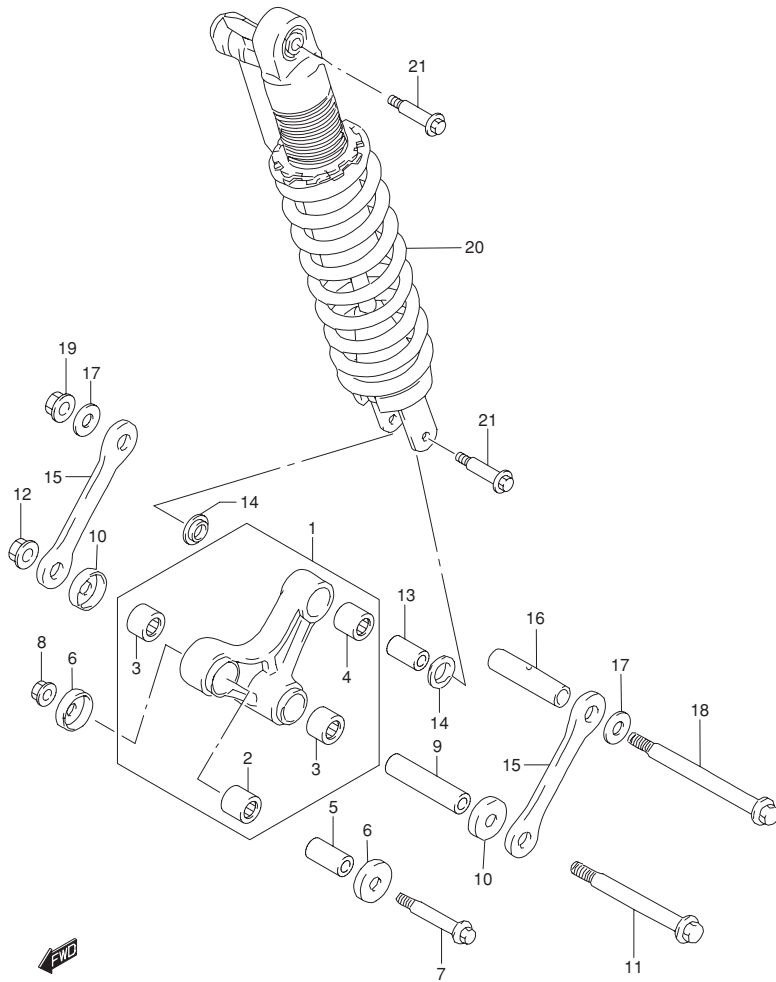


FIG.51 (H-9) REAR CUSHION LEVER

REF NO.	PART NO.	DESCRIPTION	Q'TY	REMARKS
1	62600-32840	LEVER SET ,REAR CUSHION	1	
2	09263-20073	·BEARING ,FRONT( 20X27X30)	1	
3	09263-21012	·BEARING ( 21X27X20 )	2	
4	09263-17027	·BEARING ,REAR( 17X24X20 )	1	
5	62317-27C10	SPACER ,FRONT( 12X20X34 )	1	
6	62162-28E00	SEAL ,FRONT DUST	2	
7	62658-01C60	BOLT ,FRONT ( 12X65 )	1	
8	08319-31128	NUT	1	
9	62626-13E00	SPACER ,CENTER (15X21X74 )	1	
10	62682-13E00	SEAL ,CENTER DUST	2	
11	62621-27C20	BOLT ,CENTER ( 14X109 )	1	
12	08319-31148	NUT	1	
13	62684-40A10	SPACER ,REAR( 10X17X30 )	1	
14	62624-13E00	SEAL ,REAR DUST	2	
15	62641-32E00	ROD ,REAR CUSHION LEVER	2	
16	62626-14D00	SPACER ,ROD( 14X20X74 )	1	
17	08211-14321	WASHER	2	
18	62621-17C00	BOLT ,ROD ( 14X112 )	1	
19	08319-31148	NUT	1	
20-1	62100-32E10-28W	ABSORBER ASSY ,REAR SHOCK ( WHITE )	1	E3 ,E33 FOR N9J
20-2	62100-32E10-YKS	ABSORBER ASSY ,REAR SHOCK ( RED )	1	E3 ,E33 FOR YU1
20-3	62100-32E01-28W	ABSORBER ASSY ,REAR SHOCK ( WHITE )	1	E28 FOR N9J
20-4	62100-32E01-YKS	ABSORBER ASSY ,REAR SHOCK ( RED )	1	E28 FOR YU1
21	62648-14500	BOLT ( 10X48 )	2	



FIG.52

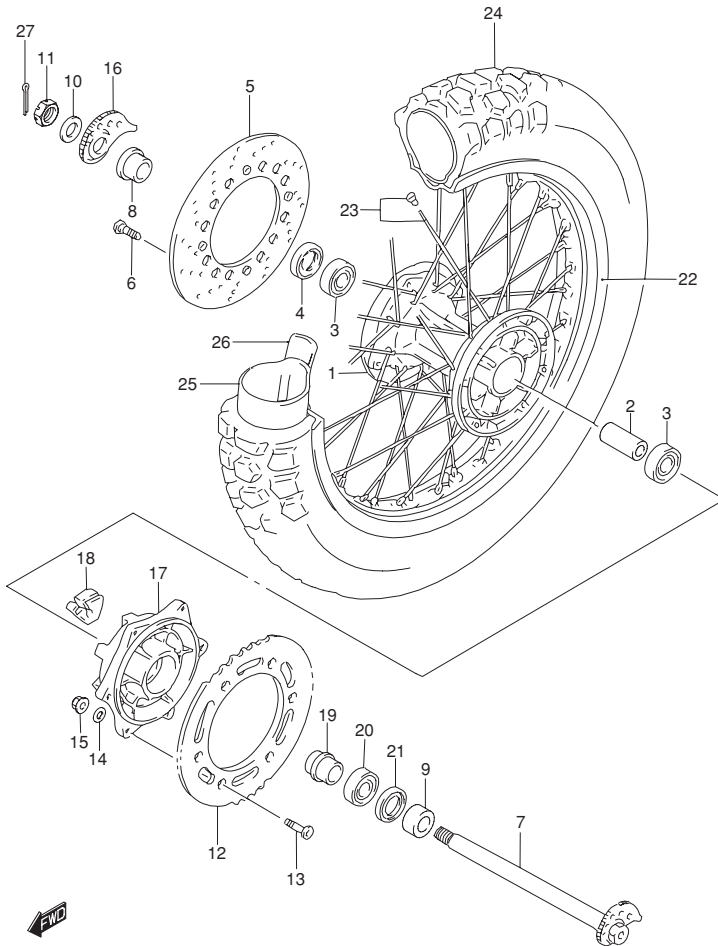


FIG.52 (H-10) REAR WHEEL

REF NO.	PART NO.	DESCRIPTION	Q'TY	REMARKS
1	64111-15D10	HUB ,REAR WHEEL	1	
2	64731-15D00	SPACER ,HUB BEARING	1	
3	08123-62047	BEARING	2	
4	09283-26019	SEAL ,HUB RH( 26X47X5)	1	
5	69211-32E01	DISC ,REAR BRAKE	1	
6	09106-08155	BOLT ,DISC	4	
7	64710-32E10	AXLE ,REAR	1	
8	64741-05D00	SPACER ,RH	1	
9	64751-15D00	SPACER ,LH	1	
10	09160-19022	WASHER	1	
11	08314-40183	NUT	1	
12	64511-32E00	SPROCKET ,REAR( NT:42)	1	
13	09120-08010	BOLT( 8X30.5)	6	
14	08322-01083	WASHER	6	
15	08319-31088	NUT	6	
16	61410-32E00	ADJUSTER ,CHAIN ,RH	1	
17	64611-15D01	DRUM ,REAR SPROCKET	1	
18	64651-32E00	ABSORBER ,REAR HUB SHOCK	1	
19	64733-15D00	RETAINER ,SPROCKET DRUM	1	
20	09262-25061	BEARING( 25X52X15)	1	
21	09283-34003	SEAL ,DUST( 34X52X6 )	1	
22	65311-32E01	RIM ,REAR WHEEL( MT2.50X17)	1	
23	65320-32E00	SPOKE SET ,REAR WHEEL	1	
24	65110-32E00	TIRE ,REAR( 120/90 - 17 64S ) ( BRIDGESTONE )	1	
25	65200-32E00	TUBE ASSY ,WHEEL INNER	1	
26	65261-32E00	PROTECTOR ,INNER TUBE	1	
27	04111-40308	PIN ,COTTER	1	

4

FIG.53

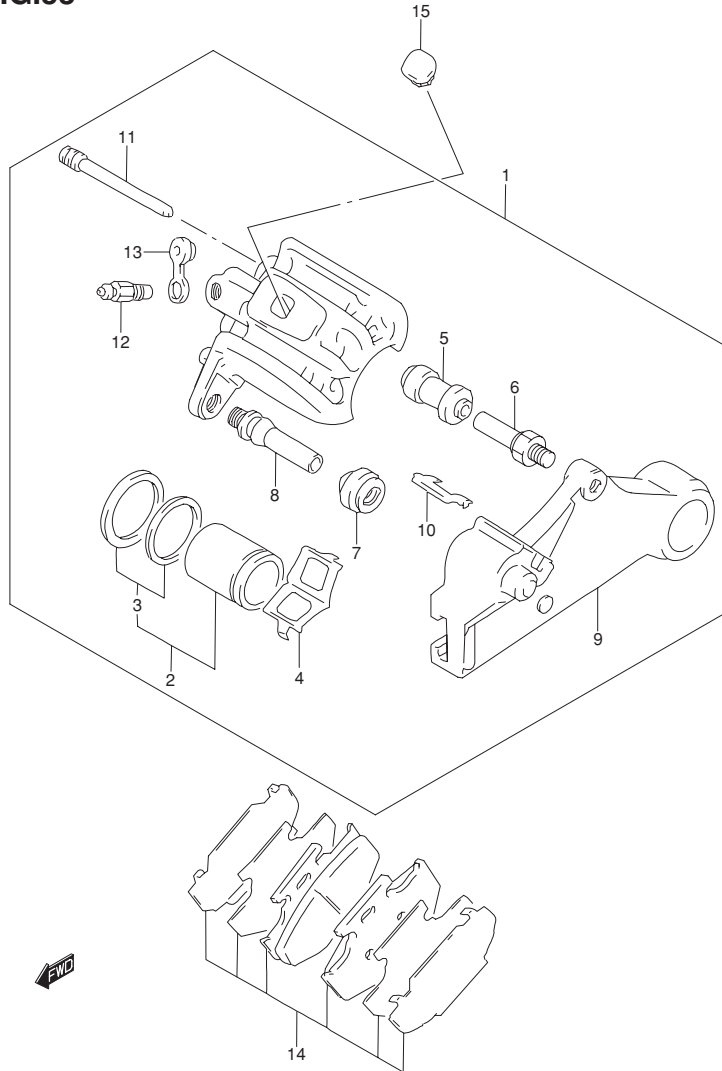


FIG.53 (H-11) REAR CALIPER

REF NO.	PART NO.	DESCRIPTION	Q'TY	REMARKS
1	69100-32E00-999	CALIPER ASSY ,REAR	1	
2	69100-43830	·PISTON SET	1	
3	69100-13810	··SEAL SET ,PISTON	1	
4	59315-27C10	·SPRING	1	
5	59386-13A00	·BOOT	1	
6	59382-27C30	·PIN	1	
7	59303-14500	·BOOT	1	
8	59305-27C00	·PIN	1	
9	69150-32E00	·BRACKET	1	
10	69113-43D00	··RETAINER	1	
11	69345-43D00	·PIN	2	
12	59121-01A00	·BLEEDER	1	
13	59122-01A00	·CAP	1	
14	69100-32830	PAD & SHIM SET	1	
15	69171-14D00	COVER , CALIPER BODY	1	

FIG.54

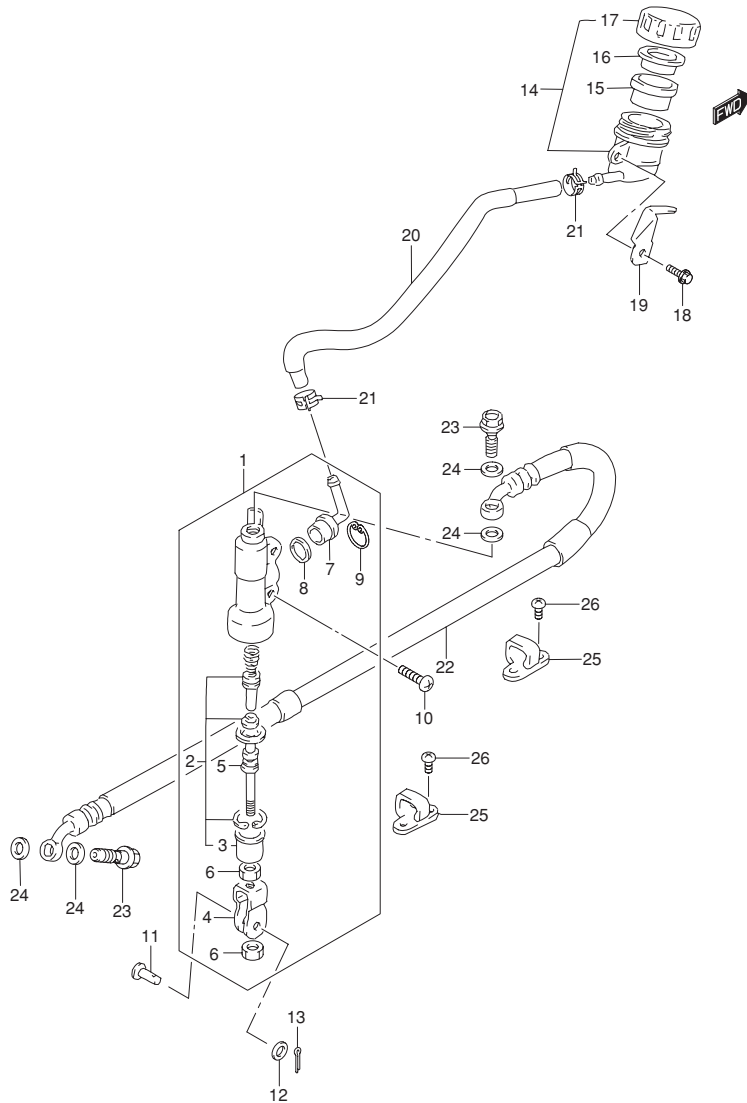


FIG.54 (H-12) REAR MASTER CYLINDER

REF NO.	PART NO.	DESCRIPTION	Q'TY	REMARKS
1	69600-32E00	CYLINDER ASSY ,REAR MASTER	1	
2	69600-04820	·PISTON/CUP SET	1	
3	69691-00A00	··BOOT	1	
4	69692-13E00	·YOKE	1	
5	69670-27A30	·ROD ,PUSH	1	
6	69693-05A00	·NUT	2	
7	69672-00B20	·CONNECTOR	1	
8	69686-34200	·O RING	1	
9	69674-00B20	·CIRCLIP	1	
10	09139-06067	BOLT( 6X16 )	2	
11	09200-08048	PIN	1	
12	09160-08119	WASHER	1	
13	04111-20158	COTTER PIN	1	
14	69740-03D00	TANK ASSY ,REAR RESERVOIR	1	
15	69667-00B20	·DIAPHRAGM	1	
16	69668-00B20	·PLATE	1	
17	69669-03D00	·CAP	1	
18	01550-0616A	BOLT	1	
19	69743-14D10	GUARD ,TANK CAP	1	
20	69730-32E00	HOSE ,RESERVOIR TANK	1	
21	09401-12404	CLAMP ,HOSE	2	
22	69480-32E00	HOSE ,REAR BRAKE	1	
23	09360-10042	BOLT ,UNION( 10X1.25X22 )	2	
24	09161-10009	WASHER	4	
25	61196-27C30	GUIDE ,BRAKE HOSE( HOLE 1 - 5.5 )	2	
26	02142-05103	SCREW	2	

FIG.55

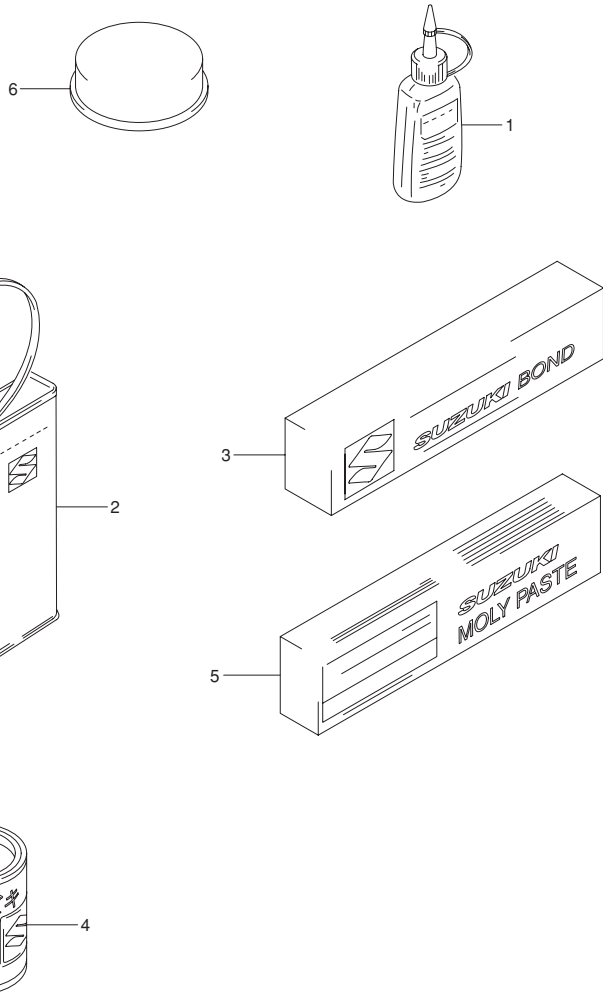


FIG.55 (H-13) OPTIONAL

REF NO.	PART NO.	DESCRIPTION	Q'TY		REMARKS
1-1	99104-32020	THREAD LOCK SUPER ( 1361A )	1	50G	
1-2	99104-32030	THREAD LOCK SUPER ( 1363A )	1	50G	
1-3	99000-32050	THREAD LOCK SUPER ( 1342 )	1	50G	
1-4	99000-32100	THREAD LOCK SUPER ( 1305 )	1	50G	
1-5	99000-32130	THREAD LOCK SUPER ( 1360 )	1	50G	
2	99000-32040	THREAD LOCK CEMENT	1	200G	
3-1	99000-31140	SUZUKI BOND ( 1207B )BLACK	1	100G	
3-2	99000-31110	SUZUKI BOND ( 1215 )	1	100G	
4	99000-25030	SUZUKI SUPER GREASE	1	150G	
5	99000-25140	SUZUKI MOLY PASTE	1	50G	
6	99000-25110	GREASE , BRAKE PAD ( PBC )	1	20G	



## PARTS NUMBER INDEX

PART NO.	FIG.NO.-REF.NO.	PART NO.	FIG.NO.-REF.NO.	PART NO.	FIG.NO.-REF.NO.
10000		12666-32E00	8-4	13417-17D00	11-2
		12669-32E00	8-5	13417-22010	11-8
		12710-32E01	9-1	13418-43410	11-9
		12741-32E00	9-2	13432-95210	11-35
		12747-44B00	9-4	13501-32E00	11-3
11100-32E20	2-1	12760-32E00	10-1	13502-41C00	11-5
11115-32E70	2-5	12771-32E00	10-2	13507-07D01	11-4
11141-32E00	1-2	12811-32E00	10-3	13601-05148	11-37
	2-6	12812-32410	10-4	13607-37010	11-31
11151-32E00	2-31	12830-32E00	10-6	13615-43010	11-33
11175-44B00	2-21	12837-24A10	1-8	13681-04010	11-10
11177-44B01	1-3		10-7	13683-32E00	11-18
	2-22	12840-32E00	9-7	13684-32E10	11-40
11180-43410	4-6	12842-38A00	9-8	13700-32E00	12-1
11211-32E10-0F0	3-1		9-11	13740-32E00	12-6
11241-04F20	1-4	12843-32400	9-9	13780-32E00	12-2
	3-4		9-12	13791-32E00	12-3
11300-32880	4-1	12850-32E00	9-10	13792-32E00	12-4
11317-32E00	4-16	12861-14D50	9-13	13800-32E00	12-19
11323-32E00	4-9	12871-14D50	9-14	13810-14D02	12-5
11340-32E00	5-1	12911-19B00	9-16	13826-14D01	12-8
11351-32E01	5-12	12912-42A00	9-17	13850-32E00	12-10
11361-32E00	5-20	12920-32E00	9-18	13856-19B03	12-16
11371-12D30	5-22	12931-33200	9-19	13858-14D10	12-12
11390-04F00	4-7	12932-24400	9-20	13859-41B10	12-18
11400-32874	1-1	12933-81400	9-21	13881-32E00	12-15
11482-32E00	1-5	13110-32E00	2-25	13891-32E00	12-14
	5-3	13200-32E12	11-1	14150-32E10	13-1
11483-32E00	1-6	13200-32E61	11-1	14180-32E00	13-4
	5-13	13236-12C00	11-24	14181-22D01	1-9
11485-12D01	1-7	13247-13A00	11-25	14186-32E00	13-2
	5-23		11-15	14310-32E31-H01	13-8
11610-20C00	4-22	13258-44B00	11-11	14771-32E00	13-13
11610-45410	4-21	13267-31D00	11-32	14781-32E00	13-10
11971-33210	5-2	13267-31D10	11-36		
12000-32820	6-1	13268-47070	11-29	14782-32E00	13-21
12111-32E00-0F0	6-18	13271-33C00	11-34	16321-32E00	14-7
12140-32E10	6-19	13278-02340	11-38	16322-32E01	14-8
12151-14A01	6-20	13279-47070	11-30	16331-32E00	14-2
12161-32E00	6-2	13281-05A00	11-41	16400-32E00	14-1
12211-32E00	6-3	13291-29900	11-28	16460-32E00	15-5
12221-32810	6-6	13295-29900	11-27	16470-32E00	15-6
12261-32E00	6-7	13331-07D00	11-13	16480-32E10	16-1
12548-37400	6-11	13331-12D00	11-20	16510-37450	14-13
12600-09860	7-6	13374-35C00	11-17	16512-14D00	14-15
12600-12D00	7-1	13374-46710	11-16	16520-32E00	14-10
12612-12D01	7-2	13383-32E10	11-23	16523-32E00	14-11
12618-31D01	7-3	13387-07D00	11-22	16600-32E00	15-1
12651-32E00	8-1	13394-31210	11-21	16629-12D00	15-4
12664-04F00	6-13	13411-12D00	11-7	16640-32E11	15-10

PART NO.	FIG.NO.-REF.NO.	PART NO.	FIG.NO.-REF.NO.	PART NO.	FIG.NO.-REF.NO.
16650-32E00	15-12	25421-14A02	19-5	34184-12D00	24-3
17210-14A00	35-17		19-23	34189-30921	24-8
18780-32E00	12-20		19-29	34910-32E00	24-12
			19-30	34938-14D21	24-16
		25671-01011	19-25	34938-14D30	24-14
		27511-31D00	18-31	34950-32E10	24-4
20000			18-32	34954-42A90	24-7
			18-33	35100-12ED0-999	25-1
			18-35	35121-12EA0	25-2
		18-36	35135-12E20	25-9	
21111-32E00	6-14	31100-32E01	20-1	35135-45900	25-3
21200-44B13	17-1		20-2	35136-38A00	25-4
21251-32E00	17-3		20-4	35139-45230	25-5
21410-44B00	17-4		20-5	35141-12ED0	25-6
21441-31D00	17-9		20-3	35151-12EA0	25-7
			20-6	35154-12EA0	25-8
			20-7	35173-01440	25-10
		20-8	35601-29E30	26-1	
		20-9	35603-29E90	26-10	
		20-10	35612-17C20	26-2	
		20-11			
21441-44B01	17-10	31130-38B00	20-2	35613-27A00	26-3
21451-44B00	17-11	31132-38B00	20-2	35623-27A00	26-12
21451-49200	17-15	31135-38B00	20-5	35627-27A02	26-6
21462-31D00	17-16	31143-49040	20-3		
21471-49100	17-12				
21481-45100	17-13	31156-48B00	20-6	35631-27A00	26-3
23165-31D00	17-19	31170-32E00	20-7	35632-27A00	26-4
23261-32E00	17-21	31264-31300	20-8		
23271-31D00	17-23	31280-26D00	20-9	35631-27A00	26-13
24120-14810	18-1	31800-26E00	23-1	35627-27A02	26-6
24130-14A10	18-14	31861-26E00	23-2		
24221-14A10	18-2	31861-48B10	23-8	35652-17C20	26-11
24231-12D20	18-3	31890-32E00	23-5	35671-32E00	26-8
24241-14A10	18-4	32101-32E00	21-1	35681-32E00	26-8
24251-14A10	18-6	32102-32E00	21-2	35710-32E30	27-1
24252-19F00	18-5	32371-32E00	21-7	35712-14D30	27-2
24311-14A01	18-15	32800-32E00	23-19	35713-14D30	27-4
24321-14A10	18-18	32900-32E10	23-16	35717-32E30	27-5
24331-14A20	18-21	33410-32E00	23-9	35725-40511	26-5
24332-24510	18-22	33416-32E00	23-11		26-14
24341-14A10	18-26	33510-43010	23-13	35761-24B31	27-15
24351-14A10	18-27	33541-47D00	23-14	35766-24B30	27-16
24741-14A00	18-12	33542-38B00	23-15	35910-32E30	27-11
25211-37401	19-1	33610-32C10	22-1	35912-38A30	27-13
25221-37401	19-2	33624-32E00	22-3	35913-38A30	27-14
25231-14A01	19-3	33651-37000	22-5	35917-17C00	27-12
25310-37400	19-6	33652-08420	22-6	35927-26E30	27-19
25322-31310	19-7	33810-32E00	23-7	35950-14A10	25-16
25323-34201	19-8	33820-32E00	22-2	35956-44B01	46-24
25324-34201	19-9	33860-32E00	22-4	35957-44B01	46-24
25331-14A00	19-12	34120-32E02	24-1	36380-32E10	24-21
25341-40001	19-14	34120-32E12	24-1	36382-32E00	24-25
25350-37400	19-16	34124-44B30	24-2	36394-32E00	24-22
25381-37401	19-21	34167-42A90	24-10	36610-32E30	28-1
25411-20A11	19-4	34170-15D21	24-5	36611-38A00	28-2





5

PART NO.	FIG.NO.-REF.NO.	PART NO.	FIG.NO.-REF.NO.	PART NO.	FIG.NO.-REF.NO.
69600-32E00	54-1	01547-06163	15-8	02142-06167	37-7
69667-00B20	54-15	01547-06167	14-18	02142-06203	12-13
69668-00B20	54-16	01547-06203	5-27		49-14
69669-03D00	54-17	01547-06303	5-26	02142-06253	23-10
69669-24A01	49-4		20-11		27-10
69670-27A30	54-5	01547-06353	5-25		27-22
69672-00B20	54-7	01547-06803	4-5	02162-05103	15-13
69674-00B20	54-9	01550-06103	30-32	02162-06163	30-12
69686-34200	54-8	01550-06123	12-23	02162-06203	23-17
69689-49300	49-5		24-11		23-20
69691-00A00	54-3		28-22	03511-14353	24-24
69692-13E00	54-4		35-7	04111-20158	54-13
69693-05A00	54-6		35-21	04111-20208	32-6
69730-32E00	54-20		39-18	04111-30308	31-9
69740-03D00	54-14	01550-0616A	50-23	04111-40308	52-27
69743-14D10	54-19				
		01550-06163	54-18	04211-09149	5-4
			30-23		5-14
			42-10		5-24
		01550-06203	2-23	04211-13189	2-7
		01550-06253	2-8		3-5
			34-9	04221-04069	19-22
			2-9	06111-07004	32-19
90000		01550-08123	44-5	07120-08403	13-14
		01550-08163	33-4	07130-05207	45-26
		01550-08203	15-11	07130-06163	15-7
			30-9	07130-06253	10-8
95700-44810	33-5	01550-10403	46-19	07130-06303	21-5
99000-25030	55-4	01570-08353	46-17	07130-08203	7-8
99000-25110	55-6			07130-08253	13-3
99000-25140	55-5	02112-04083	35-10	07130-08257	33-3
99000-31110	55-3	02112-05083	6-12		
		02112-05103	21-3	07130-08407	46-6
99000-31140	55-3	02112-05163	19-33	08123-60037	47-3
99000-32040	55-2		24-13	08123-62047	52-3
99000-32050	55-1	02112-05203	40-4	08150-62007	17-20
99000-32100	55-1	02112-05455	29-4	08211-06141	19-18
99000-32130	55-1				
99011-32E60-01A	43-5	02112-06123	4-10	08211-08201	30-16
99011-32E60-01F	43-5		4-17	08211-10221	7-5
99011-32E60-03A	43-5	02112-06163	28-19	08211-14321	51-17
99104-32020	55-1	02112-06253	14-6	08211-17341	50-11
99104-32030	55-1	02112-75163	11-19	08211-38582	8-7
		02122-06503	50-24	08212-12201	19-27
		02122-06603	39-3	08310-00063	24-20
00000		02142-05103	40-11		27-24
			54-26	08313-10053	25-17
		02142-05123	12-7	08313-10063	41-17
01204-06204	41-10	02142-06103	23-12	08314-40183	52-11
01421-06203	3-2	02142-06123	35-15	08316-10063	3-3
01500-06163	17-24				44-4
01500-06203	19-31			08316-10067	45-24
01500-08163	18-13	02142-06163	24-17	08316-10083	2-16

PART NO.	FIG.NO.-REF.NO.	PART NO.	FIG.NO.-REF.NO.	PART NO.	FIG.NO.-REF.NO.
08316-10103	26-9	09103-14001	21-4	09160-06019	41-19
	26-17	09106-06075	4-8	09160-06082	13-6
08319-21063	41-7	09106-08131	13-15		13-11
08319-21068	40-14	09106-08155	47-9	09160-06088	27-9
	41-21		52-6		41-18
08319-31063	23-18	09106-08161	32-13	09160-06109	24-18
08319-31083	2-30	09108-08142	2-10	09160-06130	40-13
	30-4	09111-06032	9-5	09160-06131	39-4
	30-7	09111-06039	18-34	09160-08119	54-12
08319-31088	52-15	09111-06054	19-17	09160-08135	13-18
08319-31107	46-15	09111-10047	31-4	09160-10035	46-14
08319-31128	51-8	09113-06001	42-6	09160-10124	32-9
08319-31148	51-12	09116-06006	30-21	09160-15049	31-8
	51-19	09116-06096	50-20	09160-19022	52-10
08321-01053	25-18	09116-06098	34-6	09160-22032	17-2
08322-01063	41-5	09116-06167	24-15	09160-22068	17-8
	41-11		25-13	09160-37006	6-5
08322-01083	52-14		30-25	09161-10009	49-11
08322-01163	50-14		35-23		54-24
08331-31106	14-5	09116-06168	17-18	09164-00003	17-14
08331-31126	14-9		30-28	09164-12018	9-15
	19-28	09116-06170	38-6	09164-20002	17-6
08331-31383	8-10	09116-06172	34-14	09164-20003	6-16
08331-41286	5-29	09116-08105	15-2	09164-38003	8-6
08332-11063	32-17	09120-08010	52-13	09167-25012	18-7
08361-35068	20-10	09125-04501	27-3	09167-25013	18-24
09103-06078	23-6	09125-05066	29-2	09167-25016	18-25
09103-06083	14-12		40-3	09168-06023	2-13
09103-06102	2-4	09126-05009	50-3		5-9
09103-06167	2-11	09126-06011	19-13	09168-06026	36-4
09103-06212	5-8		19-15	09168-06122	13-7
09103-06213	5-7	09126-06014	2-27	09168-08016	10-5
	5-15	09128-06006	36-3	09168-10007	16-5
09103-06214	5-6	09128-06013	23-4	09168-10017	2-17
	5-21	09139-06029	24-26	09168-12002	13-20
09103-06215	4-4	09139-06067	42-9	09168-12017	16-3
09103-06224	5-5		54-10	09168-14002	2-19
09103-06261	4-3	09139-06078	13-12		4-12
09103-08139	30-3		13-22		4-14
09103-08170	30-6	09139-06089	33-6		5-17
09103-08178	30-13	09139-06091	13-5	09169-06028	37-8
09103-08332	2-29	09139-08016	28-13	09169-06033	38-4
09103-08338	48-15	09140-04006	27-18	09169-06053	24-19
09103-10110	4-18	09140-20001	17-5		42-8
09103-10178	2-12	09140-20013	6-15	09169-06055	41-20
09103-10179	2-14	09159-06076	24-9	09169-06057	50-18
09103-10180	2-15	09159-10058	4-23	09169-06065	30-26
09103-10232	32-8	09159-10097	31-5	09169-06073	27-20
09103-10237	4-19	09159-16007	50-15		38-7
09103-10239	4-20	09160-05043	40-12		42-7

PART NO.	FIG.NO.-REF.NO.	PART NO.	FIG.NO.-REF.NO.	PART NO.	FIG.NO.-REF.NO.
09169-20005	17-7	09263-20071	50-6	09360-10042	49-10
09169-25001	18-23	09263-20073	51-2		54-23
09180-04024	24-27	09263-21012	51-3	09360-12008	16-2
09180-06038	30-29	09263-22017	50-7	09380-25003	18-9
09180-06248	27-8	09263-31009	7-7		18-20
09180-06251	24-28	09263-37004-0C0	6-4	09381-10004	2-2
09180-06271	34-16	09265-30014	46-2	09381-23003	6-21
09180-06286	35-24		46-3	09390-22002	9-6
09180-06310	25-14	09280-04004	4-11	09401-10409	36-6
	46-23	09280-12012	15-9	09401-11407	35-19
09180-08151	13-16	09280-15007	1-10	09401-11413	35-2
09180-08156	30-15		14-14		35-13
09180-08193	15-3	09280-17003	1-11		35-27
09181-10186	14-4		5-11	09401-12404	54-21
09181-20195	18-17	09280-33004	5-19	09401-14301	12-11
09181-25167	18-8	09280-46002	1-12		12-17
09200-08048	54-11		2-26		12-22
09200-10013	32-5	09280-72001	1-13	09401-16401	12-21
09202-04017	8-9		14-16	09402-58208	2-28
09202-10006	4-2	09282-16002	6-10	09402-64203	12-9
09202-12002	7-4	09283-20031	50-8	09403-09307	39-13
09206-08001	2-3	09283-25096	18-30	09404-06429	28-4
09208-08011	32-16	09283-26019	52-4	09404-06433	12-24
09209-05011	19-34	09283-34003	52-21	09404-08207	28-4
09223-04001	19-20	09284-23001	47-4	09407-03401	28-5
09241-25007	2-24	09285-10004	17-22	09407-10404	28-9
09247-12103	13-19	09285-12002	19-26	09407-11401	28-6
09247-14026	4-15	09285-22001	50-9	09407-11402	28-7
09248-14005	2-18	09289-05015	9-22	09407-12402	28-8
	4-13	09300-20032	18-16	09407-14403	28-6
09250-12006	5-16	09301-25002	18-19		35-16
09250-20012	46-25	09319-10033	32-10	09407-18402	28-6
09259-20019	30-10	09320-08021	30-27	09407-25401	28-6
09259-36016-20H	5-10		30-30		39-17
	5-18	09320-09016	27-7	09407-25402	34-12
09261-04009	14-3		27-21	09408-00066	39-16
09261-05003	19-10	09320-09018	25-15	09420-04008	8-11
09261-05005	9-3		46-22	09420-05007	6-17
09262-12001	5-28	09320-10015	35-25		21-6
09262-17046	18-11	09320-10020	34-17	09440-04003	19-11
09262-20059	18-28	09320-12043	13-17	09440-04010	19-35
09262-20121	8-3	09320-14022	34-15	09440-05005	32-18
09262-22028	18-10	09321-06023	27-23	09440-09031	8-8
09262-22029	8-2	09321-10019	37-9	09440-13012	35-3
09262-25061	52-20	09354-70113-600	36-5	09440-13041	36-7
09262-25125	18-29	09355-45855-600	11-39	09440-13043	35-12
09262-40008	6-8	09355-54115-00B	35-26		35-28
09262-45011	6-9	09355-54116-600	35-11	09440-13053	35-29
09263-12024	17-25	09355-70125-600	35-18	09440-20016	17-17
09263-17027	51-4	09360-10032	16-4	09440-21006	14-17

PART NO.	FIG.NO.-REF.NO.	PART NO.	FIG.NO.-REF.NO.	PART NO.	FIG.NO.-REF.NO.
09443-06016	28-17				
09443-08020	19-19				
09443-11030	31-7				
09443-12045	31-2				
09443-19010	31-3				
09444-26023	19-24				
09448-15004	32-7				
09471-12045	26-7				
	26-16				
09471-12083	27-6				
09471-12108	24-6				
09471-12118	24-23				
09471-12140	27-17				
09471-12185	25-11				
09481-10101	28-15				
09481-30101	23-3				
09482-00458	2-20				
09482-00459	2-20				
09482-00460	2-20				
09482-00461	2-20				
09491-28010	11-14				
09492-42010	11-26				
09493-20007	11-6				
09494-00884	11-12				
09800-21034	30-17				
09816-00100	30-18				

## SUZUKI **DR650SEK6** PARTS CATALOGUE

---

1st Edition  
Published in Sep., 2005

© 2005 Suzuki Motor Corporation. All rights reserved.

No part of this document may be reproduced or transmitted in any form or by any means, electronic or mechanical, for any purpose, without the express written permission of Suzuki Motor Corporation.

### SUZUKI MOTOR CORPORATION

Spare Parts & Accessories Department  
Hamamatsu Nishi, P.O. Box 1  
432-8611 Hamamatsu, Japan

---

Reprint Prohibited (S)



**1**

INFORMATION  
ILLUSTRATION INDEX

**2**

ENGINE  
TRANSMISSION

**3**

ELECTRICAL

**4**

BODY

**5**

PARTS NUMBER INDEX

# SUZUKI MOTOR CORPORATION



\* 9 9 0 0 B - 3 0 2 0 5 \*

9900B-30205

